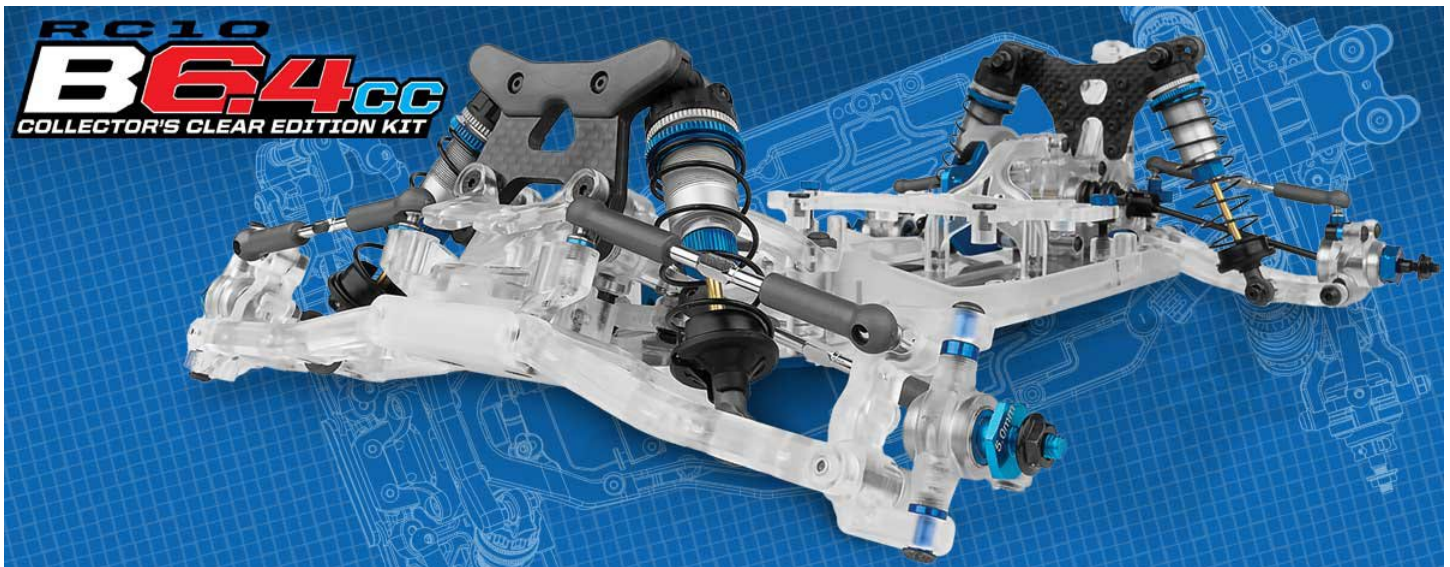


For Immediate Release: January 17, 2024

#90043 RC10B6.4CC Collector's Clear Edition Kit



ELECTRIC ▪ OFF ROAD ▪ 1:10 SCALE ▪ 2 WHEEL DRIVE ▪ KIT

Champions by Design

1:10 scale 2WD off road has been Team Associated's signature class since the release of the RC10 in 1984. The Team Associated RC10 buggy series has won 13 of the 19 I.F.M.A.R. World Championships contested, yet we never rest on our laurels. As tires, motors, batteries, and tracks evolve, Team Associated adapts and improves with every iteration of the RC10. With the RC10B6.4 project, engineers had the goals of improving jumping and landing, updating the steering feel to be "easy to drive fast," and making the buggy corner faster on high grip carpet and clay.

To commemorate one of the most successful 2WD buggy platforms in history, we are proud to announce the B6.4CC Collector's Clear Edition Kit. This kit offers RC collector's* the ability to build the world's most successful 1:10 scale buggy platform in iconic polycarbonate clear material. This clear car edition includes +3mm chassis layout, 11mm Octalock LCF slipper clutch, steel ESC weights, servo weights, front and rear anti-roll bars, and other great features you remember from the RC10B6.4. The B6.4CC is designed for optimal build experience, and this clear car edition kit is a true gem for both collectors* and racers alike.

**While clear parts are stronger than SLA and could be driven, it was manufactured as a display piece for your collection. The polycarbonate clear components will only be available in the kit. They will not be sold individually.*

HIGHLIGHTS

RC10 B6.4cc COLLECTOR'S CLEAR EDITION KIT



13mm big-bore threaded aluminum shocks and springs with machined shock pistons for improved bump and jump handling



4mm carbon fiber front and rear shock towers with molded protective covers



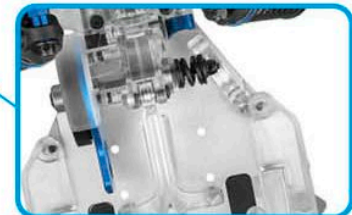
Octalock spur gear and 11mm Octalock LCF pads



69mm CVA bones for reduced bone plunge and minimized friction at drive pin.



Natural silver +3mm length aluminum chassis with 22.5 degree kick-up to complement updated front-end geometry



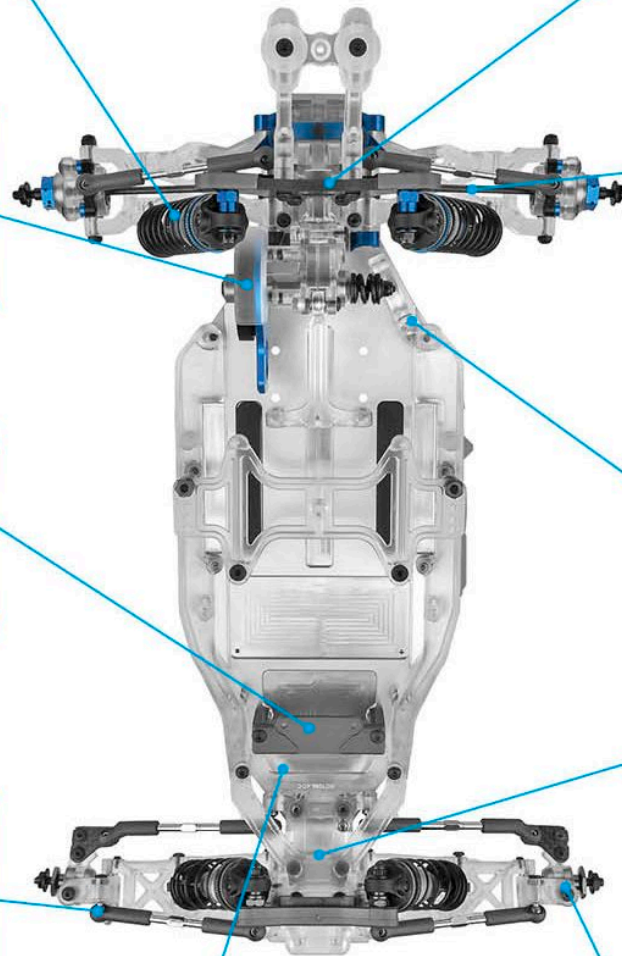
Updated chassis side rails with three optional fan mount locations to choose from



Updated front ballstud mount, top plate, and front wing mount to account for the kickup angle change



Adjustable height steering bellcrank and rack system for optimized bump steer at all ride heights and caster angles



-1mm kingpin offset steering and caster block set for smoother and more predictable steering through the entire wheel throw

Iconic polycarbonate Clear Material throughout

Due to ongoing R&D, photos may not match final kit. Assembly and painting required.

MORE FEATURES

- Iconic polycarbonate Clear Material throughout
- 13mm big-bore threaded aluminum shocks and springs with machined shock pistons for improved bump and jump handling
- Laydown 3-gear transmission
- Clear polycarbonate B6 buggy wheels included
- Natural silver +3mm length aluminum chassis with 22.5° kick-up to complement updated front-end geometry and with a new shape to reduce chassis scrub with the track surface
- Adjustable height steering bellcrank and rack system for optimized bump steer at all ride heights and caster angles
- -1mm kingpin offset steering and caster block set for smoother and more predictable steering through the entire wheel throw
- Updated front ballstud mount, top plate, and front wing mount to account for the kickup angle change
- Updated chassis side rails with three optional fan mount locations to choose from
- Cab-forward design RC10B6.4 body offered in standard (kit) and lightweight (optional) thickness
- 4mm carbon fiber front and rear shock towers with molded protective covers
- Octalock spur gear and 11mm Octalock LCF pads

WATCH THE VIDEO!

<https://rc10.com/rc10b64ccyt/>

SPECIFICATIONS

Scale	1:10
Power	Electric
Length (with wing)	390mm (15.4")
Width	Varies
Weight	Varies
Wheelbase	282-286mm (11.2-11.3")
Transmission Ratio	2.60:1

ITEMS NEEDED TO COMPLETE

- 1:10 scale electric motor and electronic speed control (Motor: #27402 or #27441. ESC: #27004.)
- 7.4V-7.6V 2S LiPo with "shorty" battery dimensions (standard or low-profile height) (#27382 for 6.4D or #27384)
- Battery charger for the batteries chosen (#27403)
- 2-channel surface transmitter, 2-channel receiver, and steering servo (#27119)
- Lexan® specific spray paint for body
- 1:10 scale off-road tires
- Four AA batteries for the transmitter
- Other helpful items: Silicone Shock Fluid. Silicone Diff Fluid. Body Scissors (#1737). Reamer (#1499) / Hole Punch. FT Wrench Set (#1519). Hobby Knife. Needle Nose Pliers. Wire Cutters. Soldering Iron. Calipers or a Precision Ruler.

CATALOG INFORMATION

UPC	Part No.	Description	MSRP	MAP	Available
784695900431	90043	RC10B6.4CC Collector's Clear Edition Kit	\$649.99	\$439.99	February 2024

Download all zipped product photos here: <https://rc10.com/rc10b64cczip/> (5.1MB). Link is active for 30 days.



21062 Bake Pkwy
Lake Forest CA 92630
www.AssociatedElectrics.com

