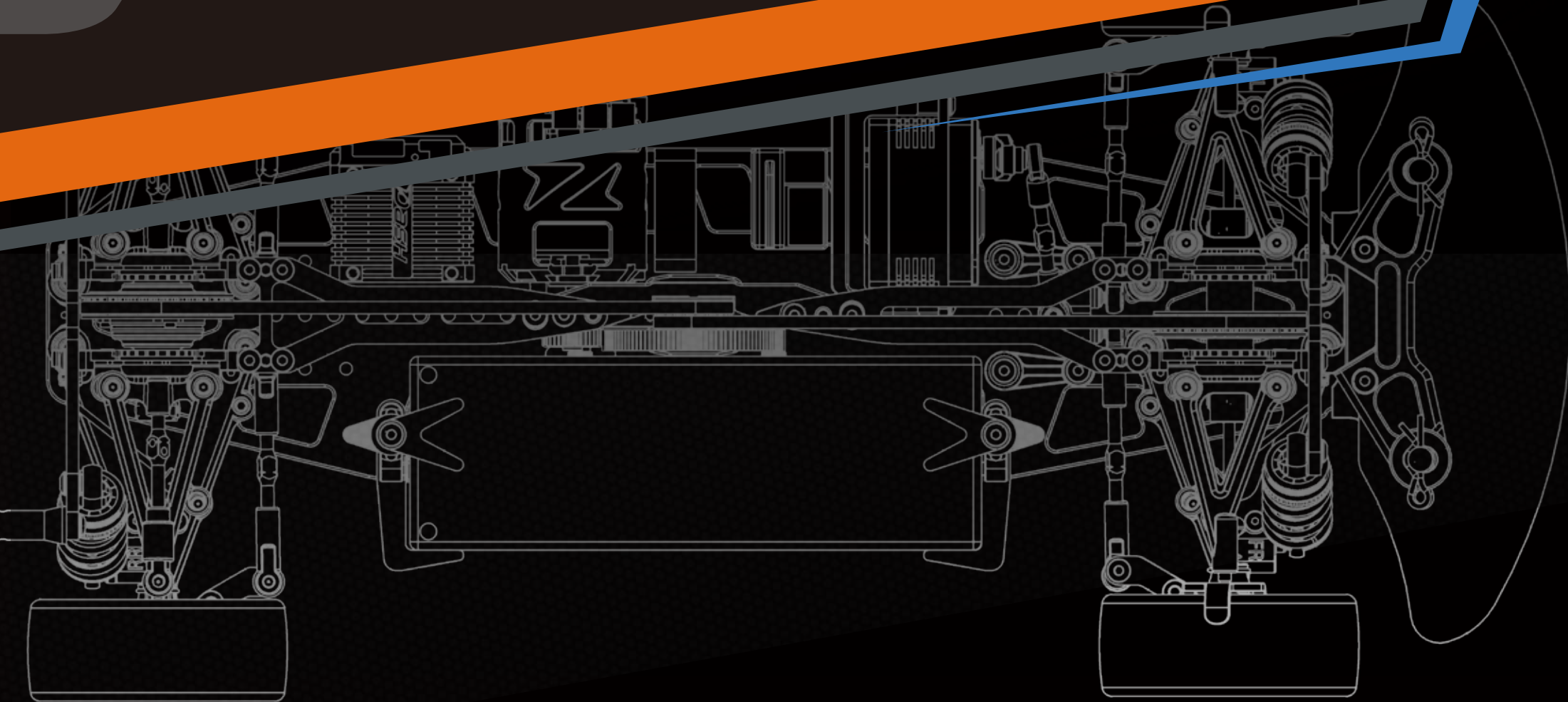


X20 '23

1/10 SCALE ELECTRIC TOURING CAR



SERPENT

INTRODUCTION

Thank you very much for selecting this Serpent rc car and thus become a member of the ever growing worldwide Serpent racing family. Serpent started in 1980 and has been growing its product-line and fan-base ever since.

The Serpent X20'23 mEdius is a state of the art 1/10 scale 4WD touringcar which will give you the true Serpent racing experience. The assembly manual will guide you through all the steps to complete the car, so you can hit the track with a good base-set-up soonest. The Serpent design department succeeded to create a superbly performing car combined with eas of assembly and maintenance. The high quality standards of all parts and hardware will make racing your Serpent car a very rewarding activity!

Through our team, website and social media we will keep you up-to-date on all developments of the Serpent cars. We hope to meet you on the track and through our various media! Enjoy the drive!

Team Serpent
Multiple World Champions

INSTRUCTIONS

Serpent's long tradition of excellence extends to the instruction manuals, and this instruction manual is no exception. The easy-to-follow layout is richly illustrated with 3D-rendered full-color images to make your building experience quick and easy. Following the instructions will result in a well-built, high-performance race-car that will soon be able to unleash its full potential at the racetrack. The kit includes bags, with bagnumbers, which refer to the same step in the manual. Open only the indicated bag(s) per step and finish that part of the assembly. Remaining parts will be needed lateron in the assembly process.

PLASTIC PARTS

The Serpent moulded parts are very durable and hard. When assembling longer screws in new composite parts, make sure to use new hex bits in your (power) tools. Pre-threading also helps to avoid screw damage.

SETUP

In certain assembly steps you need to make basic adjustments, which will give you a good initial setup for your Serpent X20'23 mEdius Fine-tuning the initial setup is an essential part of building a high-performance racecar like your Serpent

EXPLODED VIEWS AND PARTS LIST

The exploded views and parts lists for the X20'23 mEdius are presented in the Reference Guide section in the back of this manual. The exploded views show all the parts of a particular assembly step along with the Serpent part number and hotlink to the Serpent website. Partnumbers in orange indicates that this part is an optional. Optionals part names and numbers are showed below.

CUSTOMER SERVICE

Serpent has made a strong effort to make this manual as complete and clear as possible. Additional info may be published in our website: www.serpent.com or you may ask your dealer or the Serpent distributor for advice, or email Serpent direct: info@serpent.com. The Serpent Facebook, Twitter and Youtube pages give additional means of support and communications.

SAFETY

Read and take note of the 'Read this First section' before proceeding to assemble the car-kit. This car-kit is intended for persons aged 16 or older.

READ THIS FIRST!

- This is a highly technical hobby product, intended to be used in a safe racing environment. This car is capable of speeds in excess of 80 km/h or 50mph. Please follow these guidelines when building and operating this model.
- Parental guidance is required when the builder/user of this car is under 16.
- Follow the building instructions. If in doubt, contact your dealer or importer.
- Be sure to use the proper tools when assembling the car. Always exercise caution when using electric tools, knives and other sharp objects.
- Be careful when using liquids like lubrication oil, fuel or glue. Do not swallow.
- Follow the manufacturer's instruction in case you experience irritation after using the product.
- Be careful when operating the car. Stay away from any rotating parts such as wheels, gears and transmission. Stay away from motor, engine and exhaust pipe system or speedo during and immediately after use, as these parts may be very hot. We advise to use protective hand cloves.
- Only operate this car in a safe environment, like a special racing track or a closed parking lot. Avoid using this car on public roads, crowded places or near infants.
- Before operating this car, always check the mechanical status of the car. Also check that the transmitter and receiver frequencies correspond and are not used by any other racer at the same time. Check that the batteries of the transmitter and receiver- are fully charged.
- After use, always check all the mechanics of the car. We advise to clean the car immediately after use, and inspect the parts for wear or fractures. Replace when necessary. Do not use water, methanol, thinner or other solvents to clean the car.
- Empty the fuel tank (depending on model) if needed and disconnect the receiver battery.
- Store the car in a dry and heated place to avoid corrosion of metal parts.
- Avoid using this car in wet conditions as the water will cause corrosion on the metal parts and bearings and these parts will cease to function properly. If driven in the wet, ensure that all the electric equipment is waterproofed and after use, that all moving parts are dried immediately.

CONTENTS

• DIFF ASSEMBLY	4
• DJC ASSEMBLY	6
• CVD ASSEMBLY	7
• FRONT & REAR ASSEMBLY	8
• MOTORMOUNT ASSEMBLY	12
• REAR ASSEMBLY	14
• FRONT ASSEMBLY	19
• ANTIROLLBAR ASSEMBLY	22
• STEERING ASSEMBLY	23
• CENTRAL ASSEMBLY	26
• SHOCK ASSEMBLY	29
• BUMPER ASSEMBLY	32
• FINAL ASSEMBLY	34
• EXPLODED VIEWS	38
• TEAM SERPENT NETWORK	49

LINES DESCRIPTION

Each step contains a variety of numbers, lines, and symbols. The numbers represent the order in which the parts should be assembled. The lines are described below.



Step number; the order in which you should assemble the indicated parts



Length after assembly



Assembly path of one item into another



Group of items (within lines) should be assembled first



Direction the item should be moved



Glue one item to another



Press/insert one item into another



Connect one item to another



Gap between two items

ICONS DESCRIPTION

Each step contains a variety of symbols described below.



Carefull, read and check very well.



Apply a small amount of cyano glue. Use wear protection for eyes and hands.



Detail view to explain assembly or order of parts better.



Default set-up: This symbol indicates the default setup.



Grease: apply a small amount of grease to the parts shown.



Left and right parts should be assembled in the same way.



Thread lock: apply a small amount on the parts shown. Before to apply the threadlock, make sure to degrease the parts very well, as otherwise the threadlock will not work.



Silicone oil: use the indicated silicone oil for the shocks and differentials.



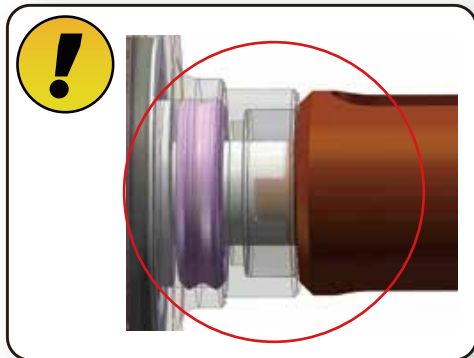
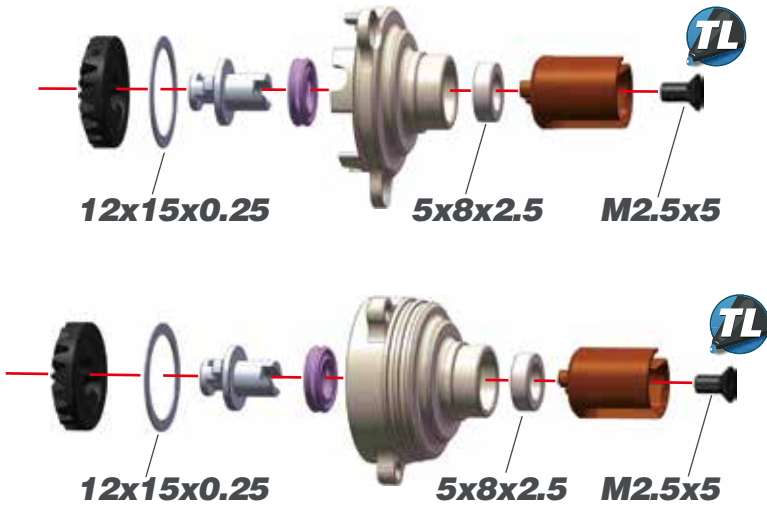
Parts or items not included in the kit.



Optional part, not standard in the kit.

STEP 1 DIFF BAG

1.1



1.2



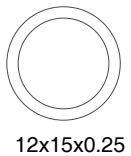
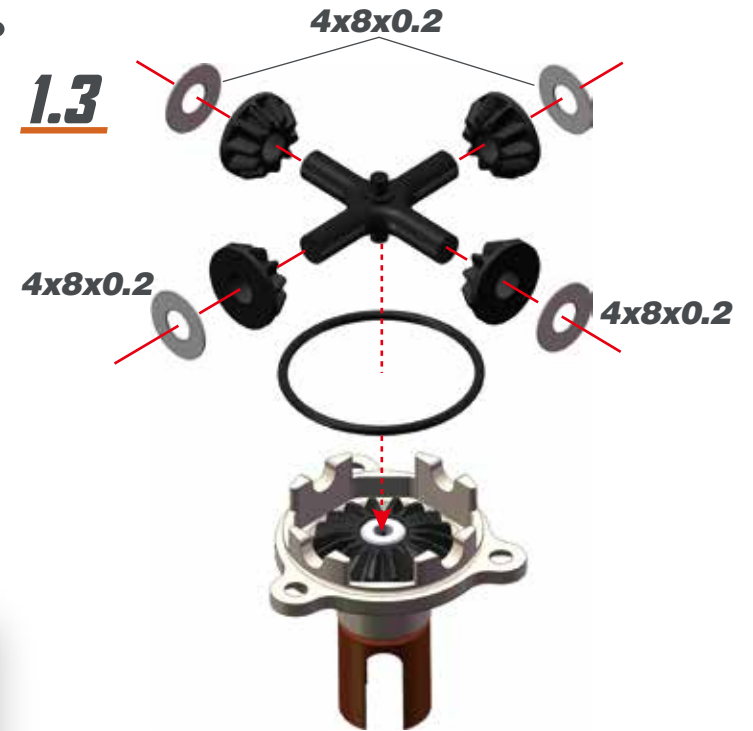
AMOUNT OF OIL IN THE DIFFS

Use a digital scale to measure the exact amount of oil in the diff.

Differential weight with volume compensators = 8.4 grams

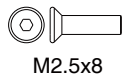
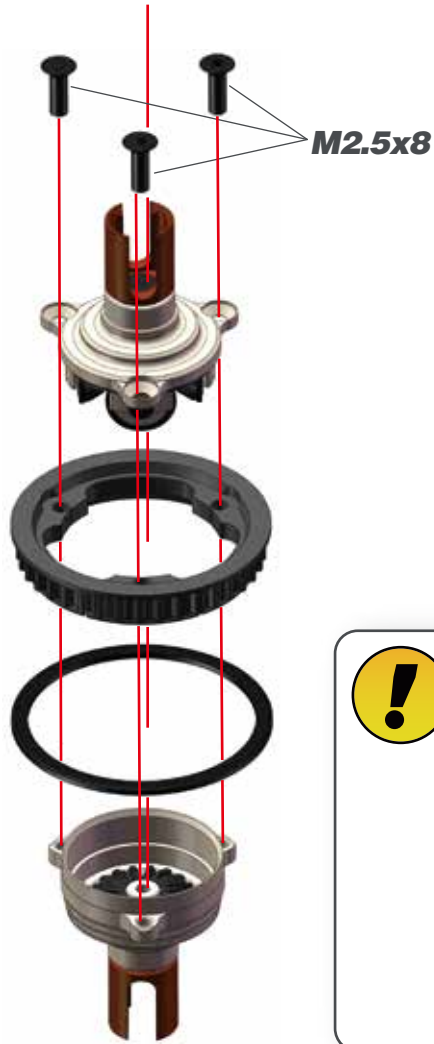


1.3



STEP 1

1.4

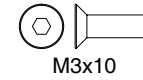


M2.5x8

STEP 1

SOLID AXLE BAG

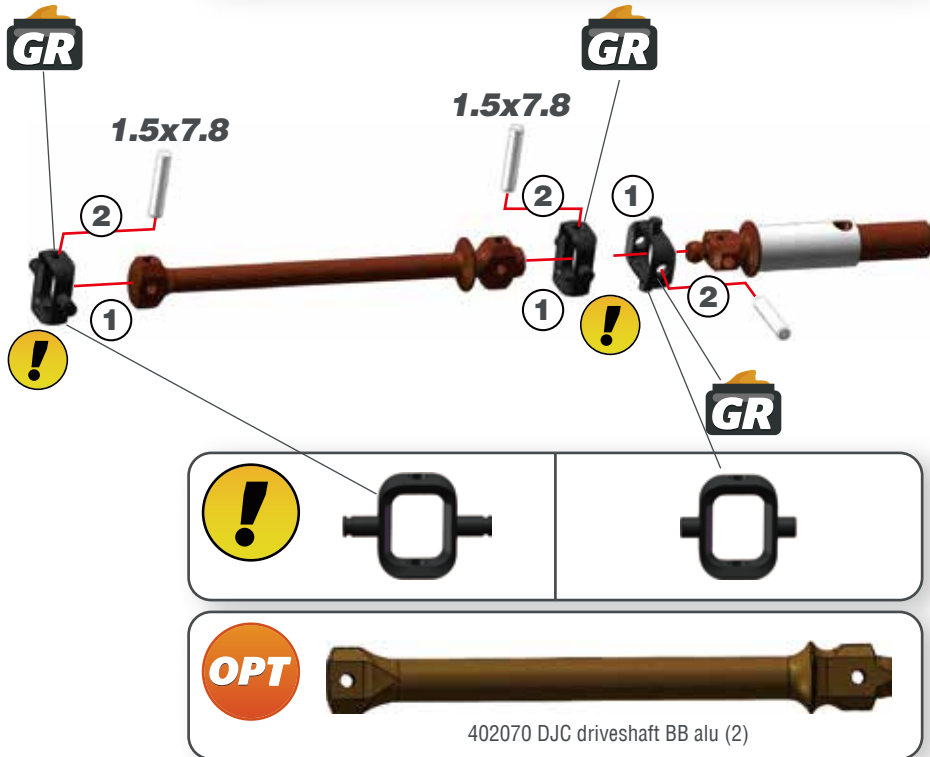
1.4



M3x10

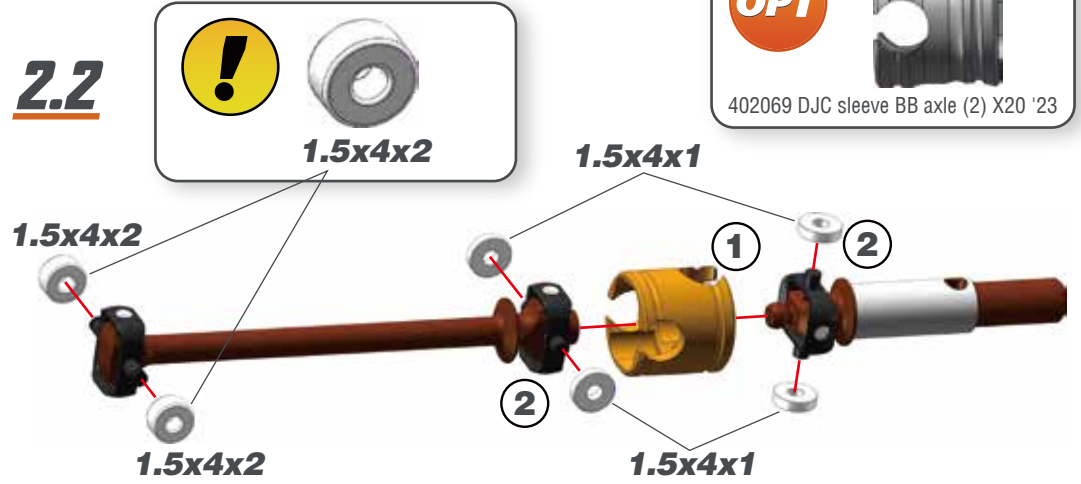
STEP 2 DJC BAG

2.1

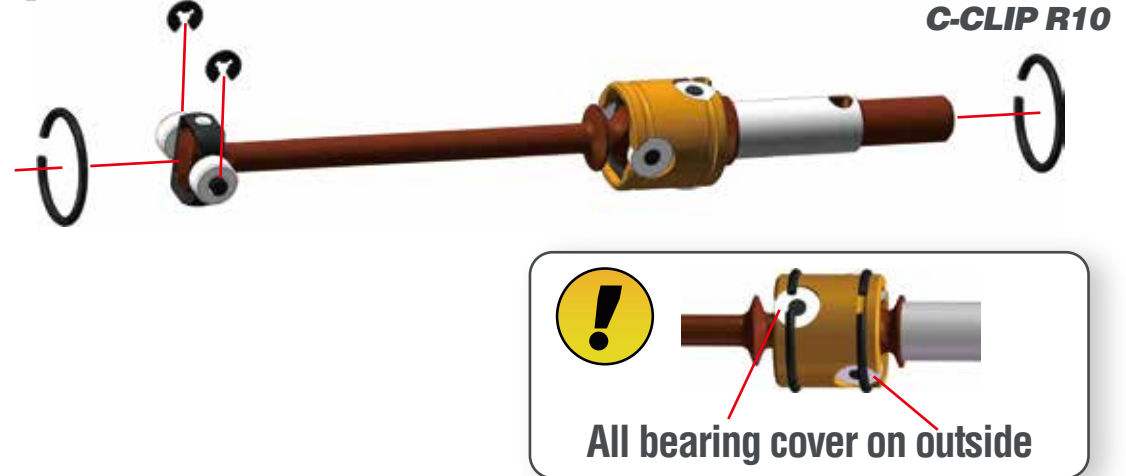


1.5x7.8

2.2



2.3 E-CLIP R1



C-CLIP R10

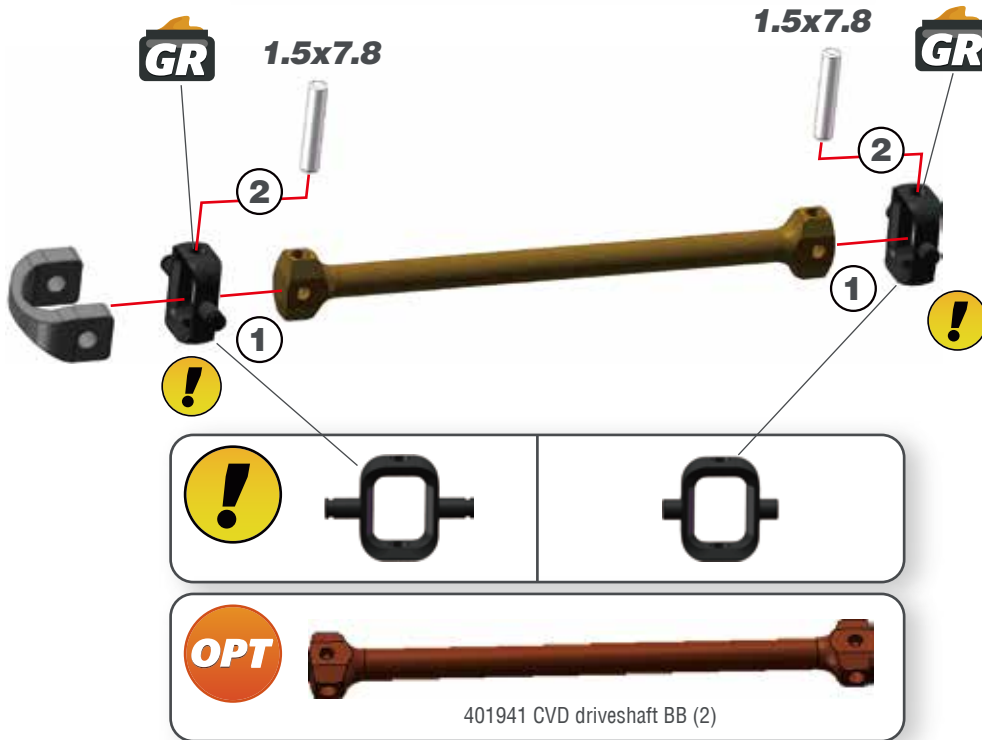
1.5x4x1

1.5x4x2

E-CLIP R1

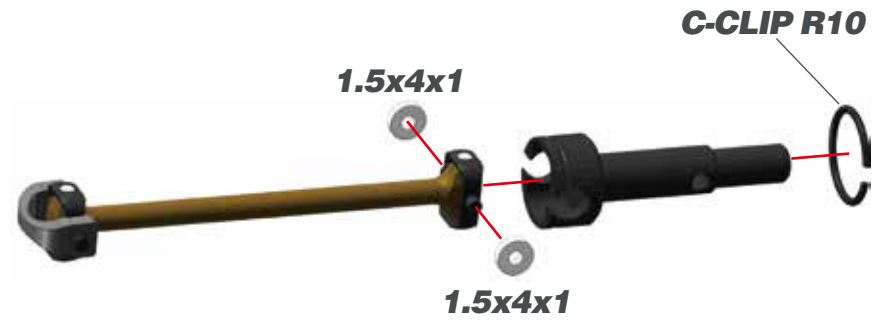
STEP 2 CVD BAG

2.4



1.5x7.8

2.5



C-CLIP R10

1.5x4x1

STEP 3

BAG 1

3.1 FRONT

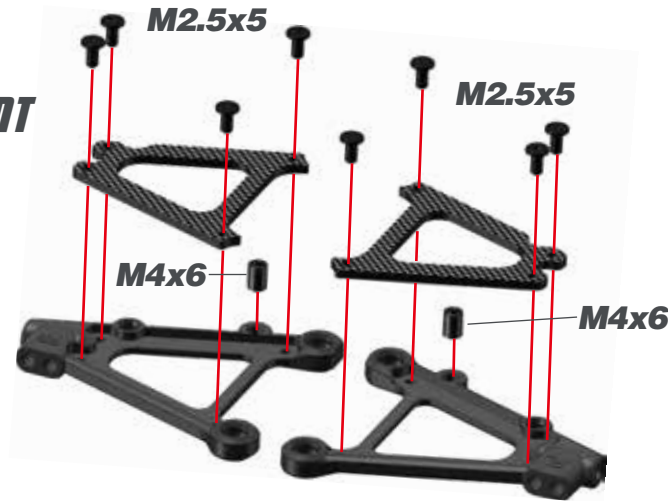
4X



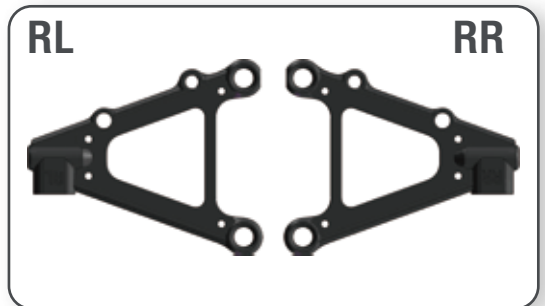
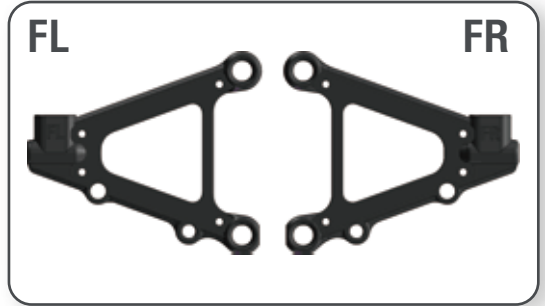
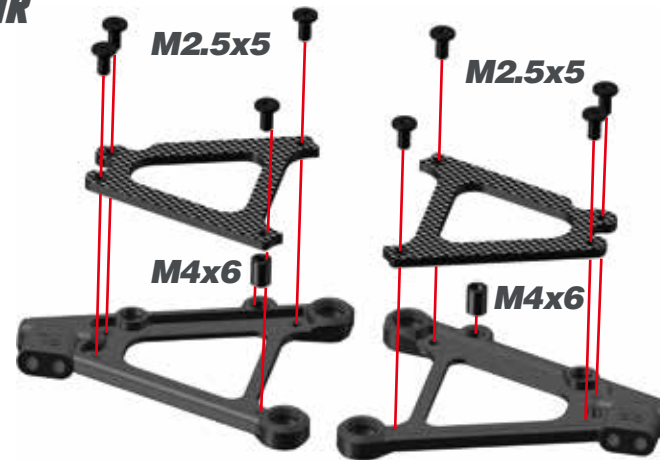
3x5x2

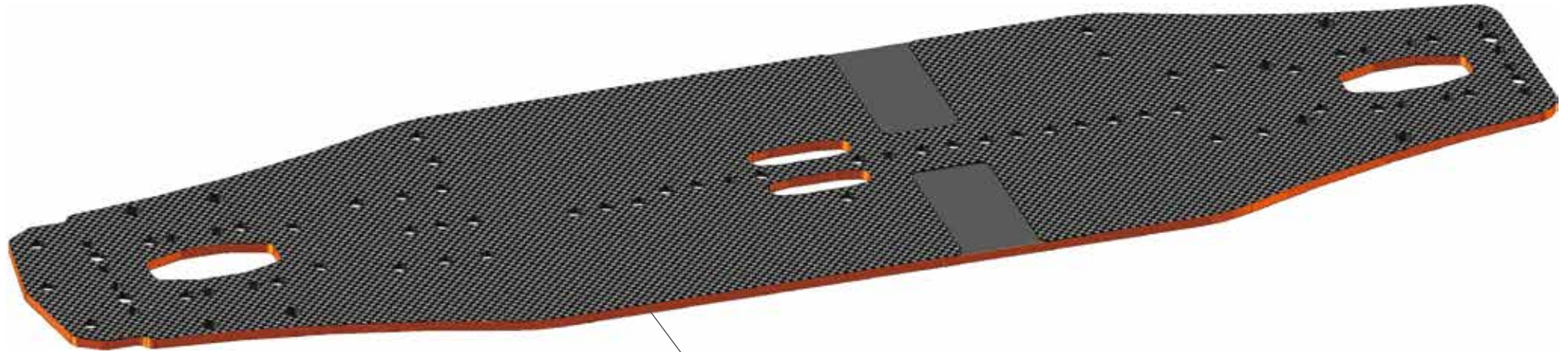


3.2 FRONT



3.3 REAR

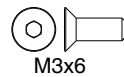
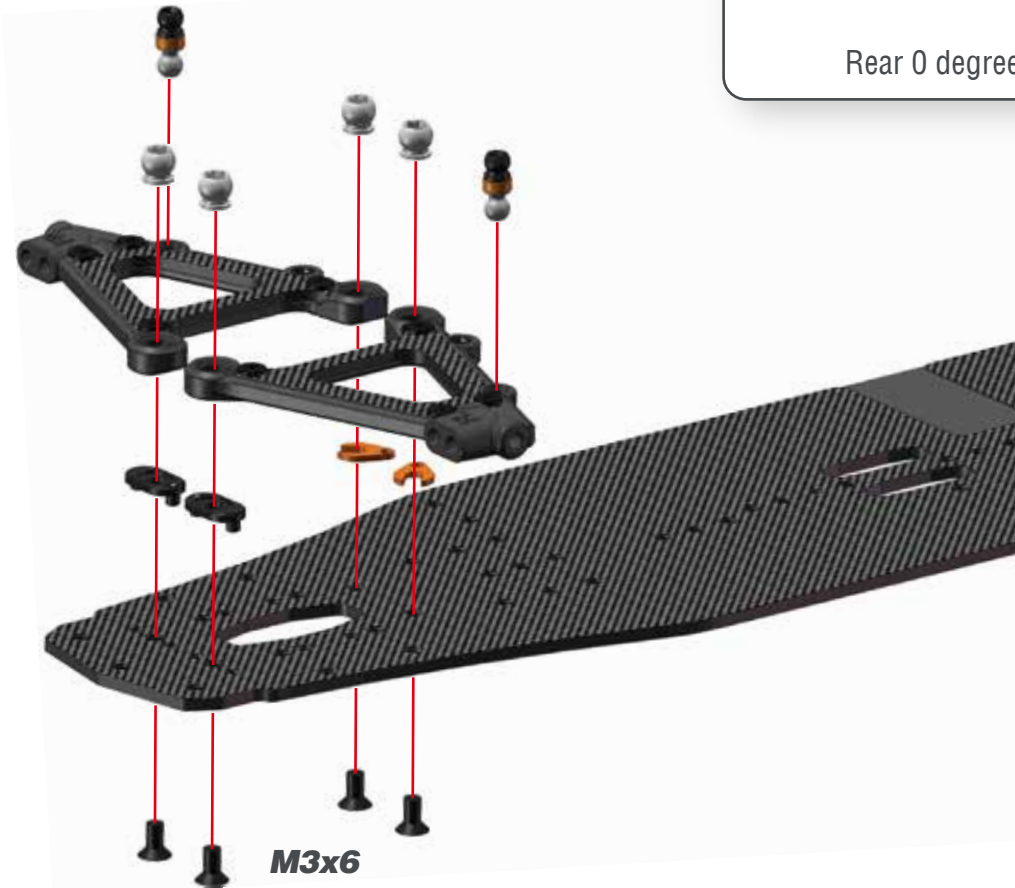









CA

STEP 4

4.1 FRONT

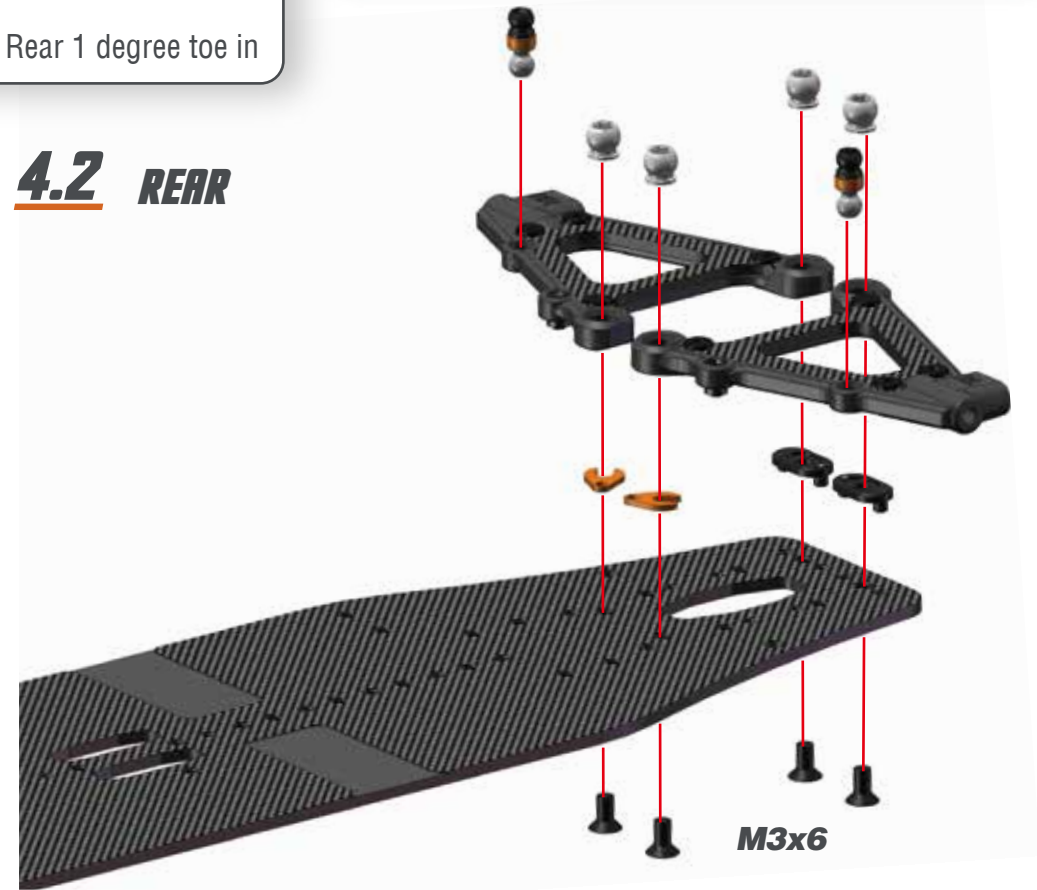


M3x6

	Front 0 degree	Front 1 degree toe out	
			
	Rear 0 degree	Rear 1 degree toe in	

OPT  402024 suspension insert lw 0.5deg (4) X20 '23

4.2 REAR

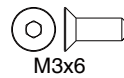
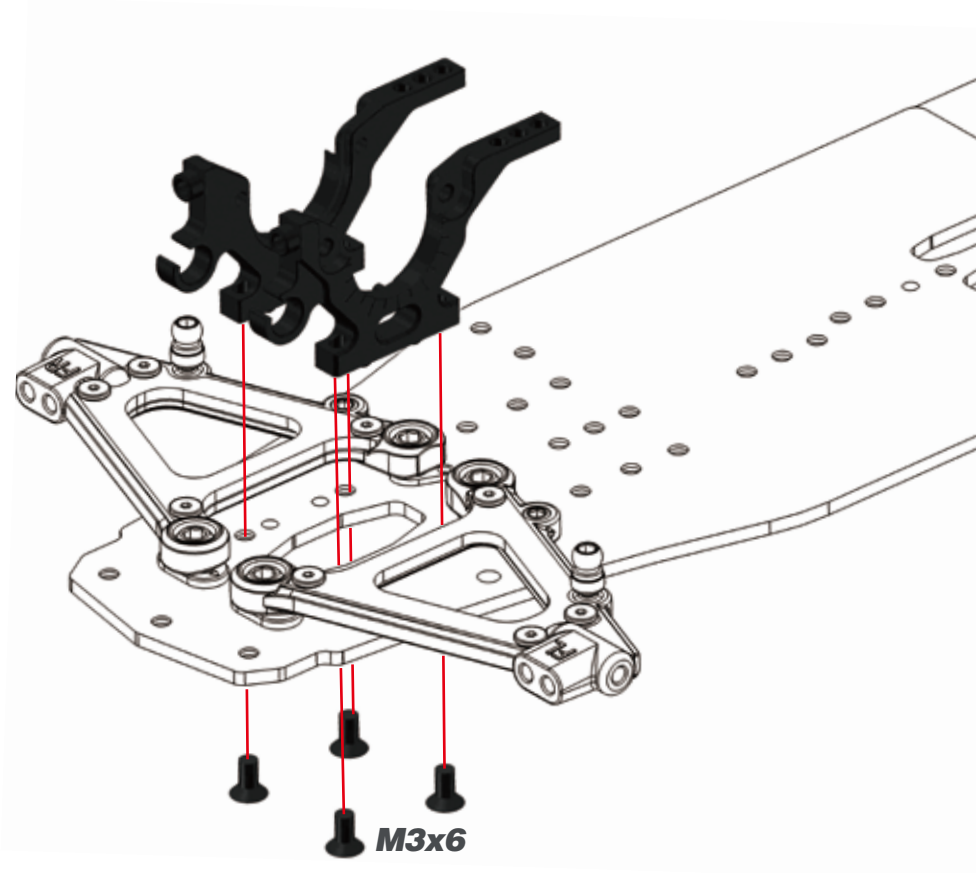


M3x6

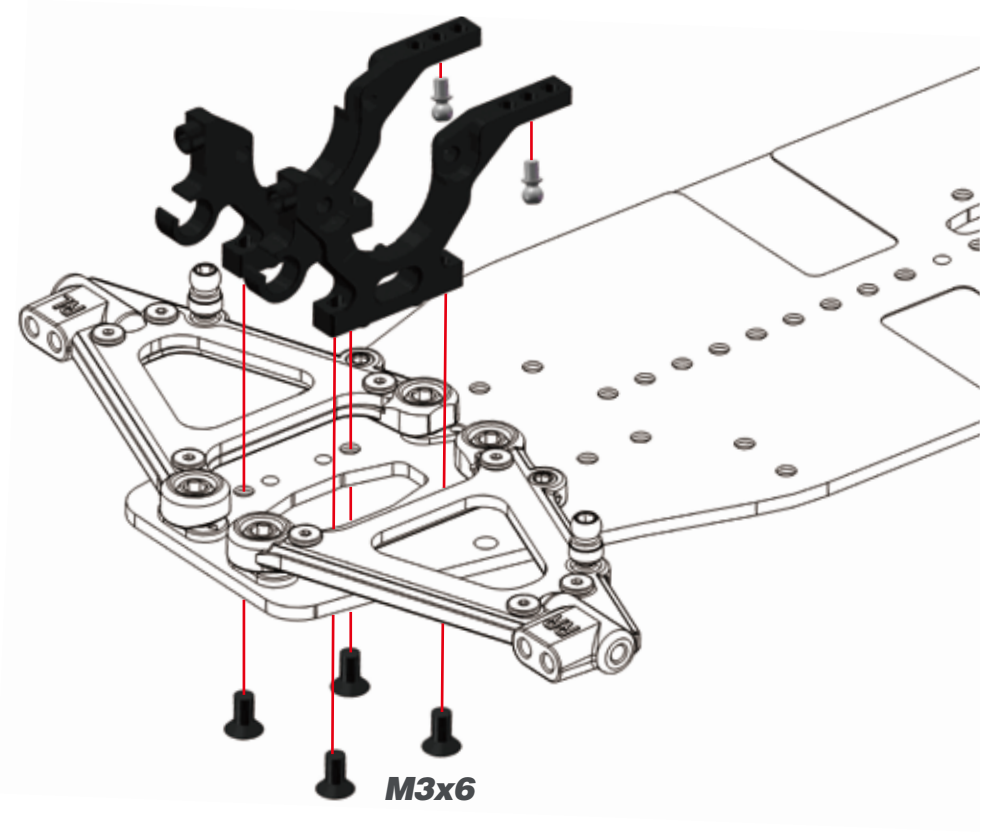
STEP 5

BAG 2

5.1 FRONT

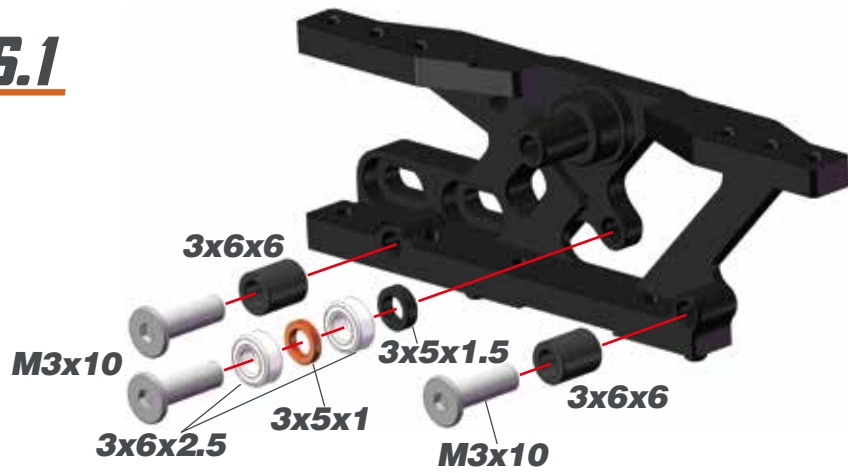


5.2 REAR

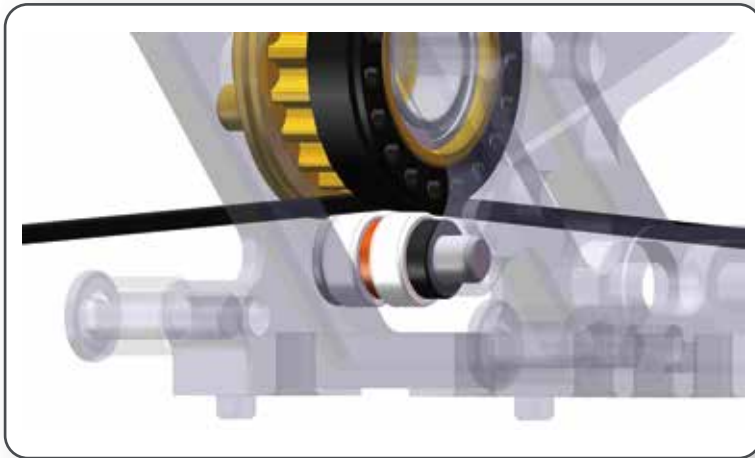
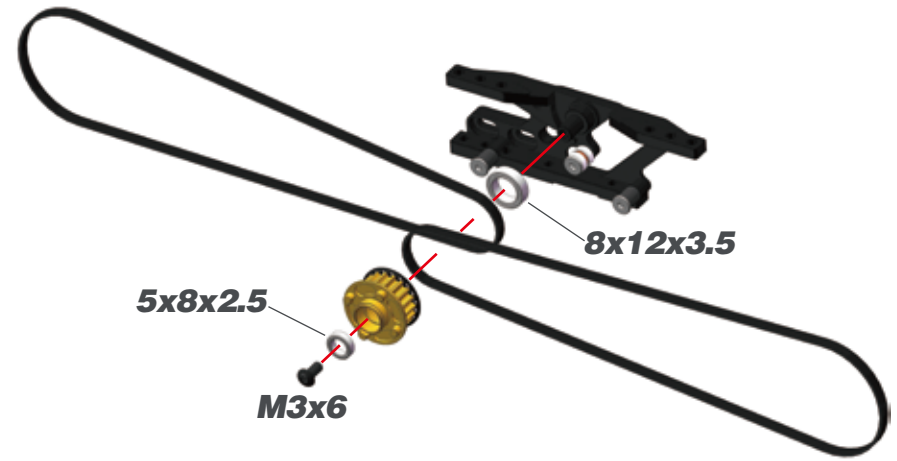


STEP 6

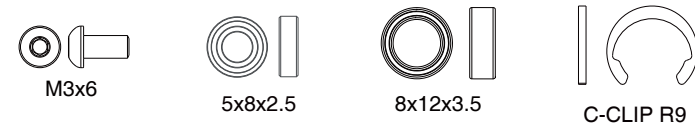
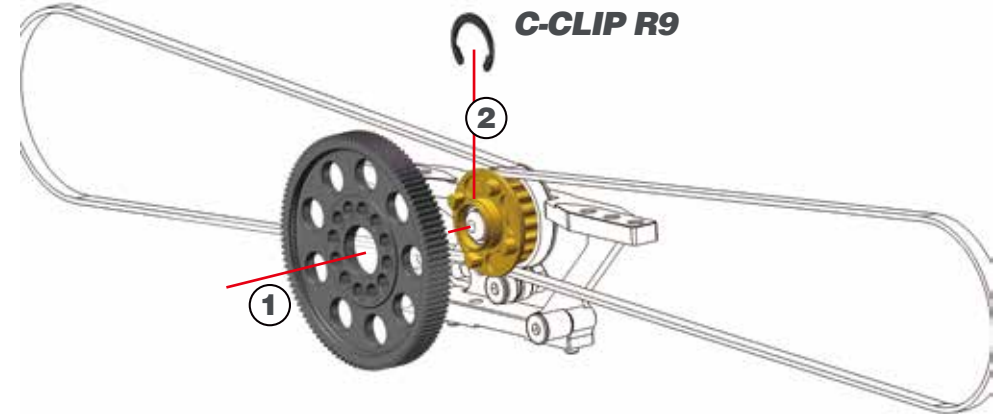
6.1



6.2



6.3



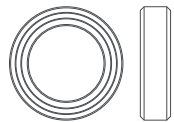
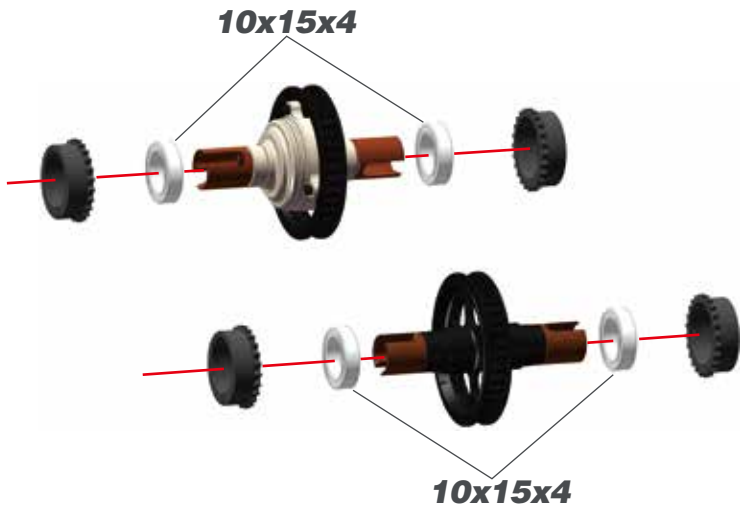
STEP 6

6.4

OPT

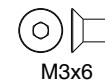
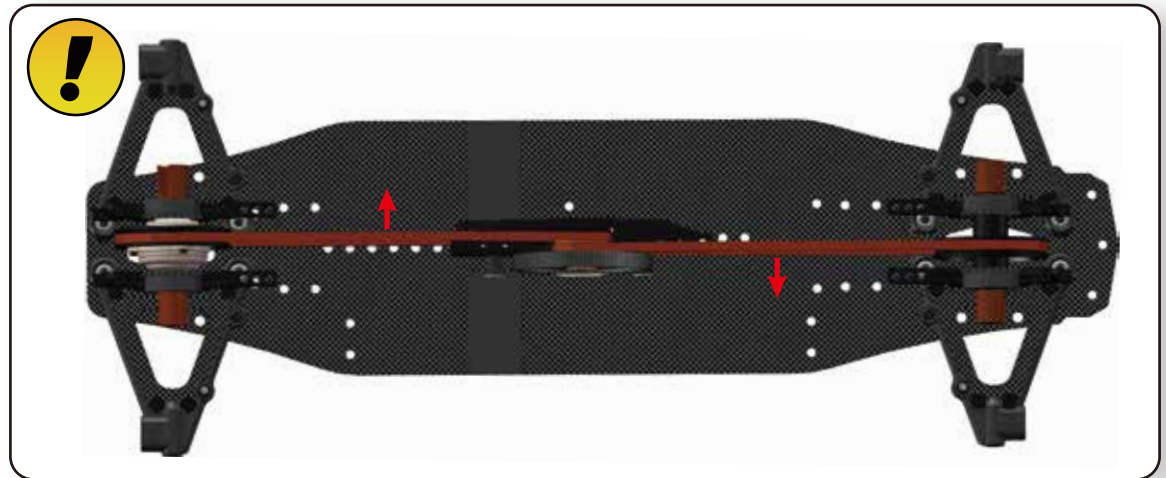
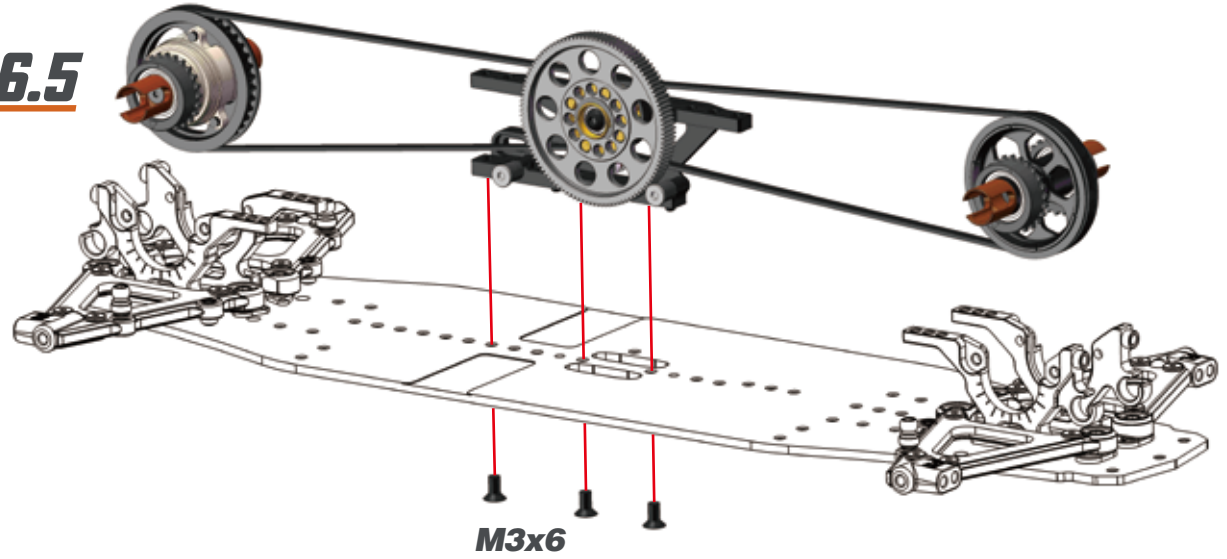


401917 Bearing excenter fr/rr (4) alu X20



10x15x4

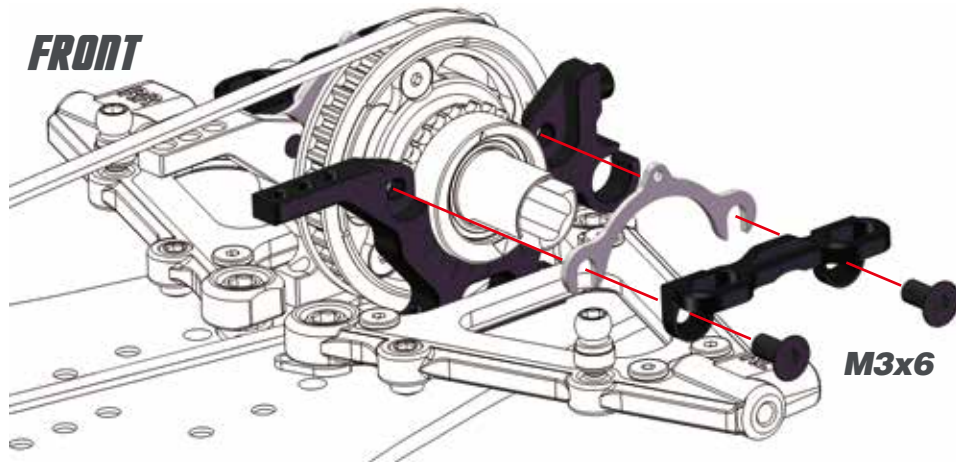
6.5



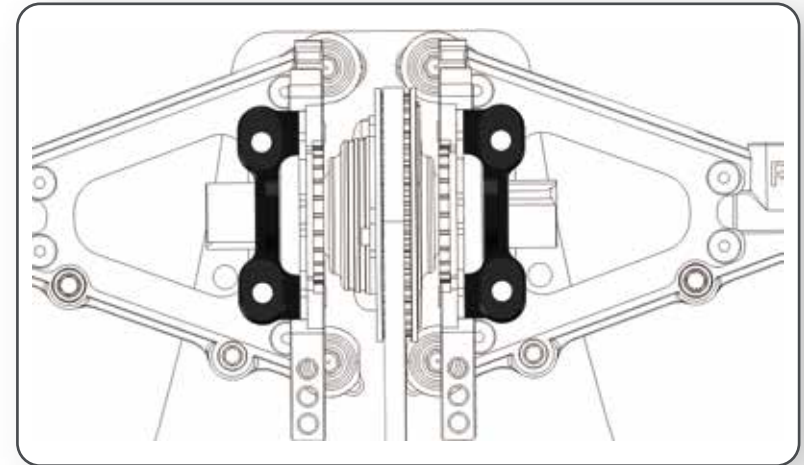
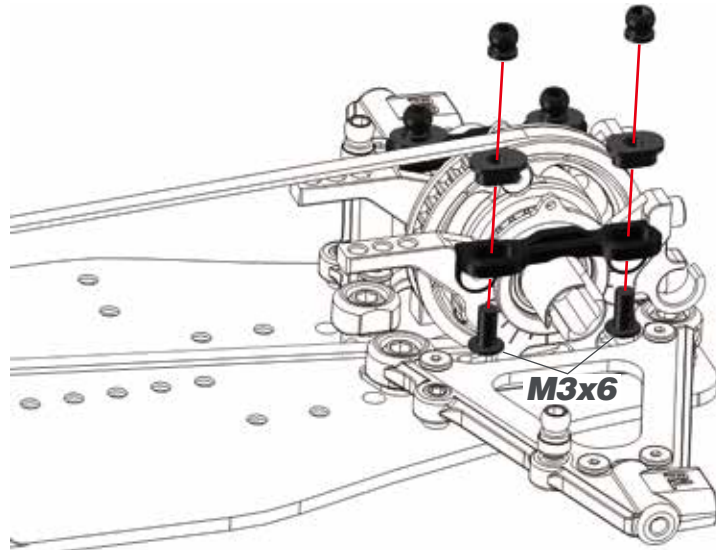
M3x6

STEP 7 BAG 3

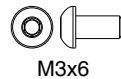
7.1 FRONT



7.2

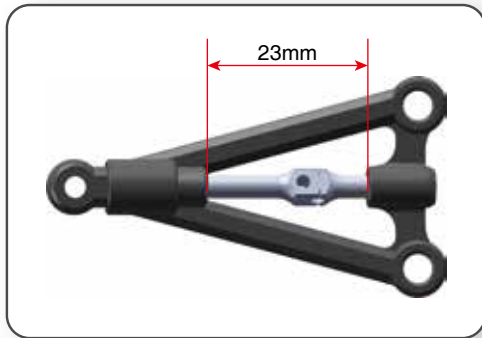


Lower arm 0 toe in	Rear	Lower arm 1 toe in
	○	
	○	
✓	○	
	○	
	○	✓
	○	



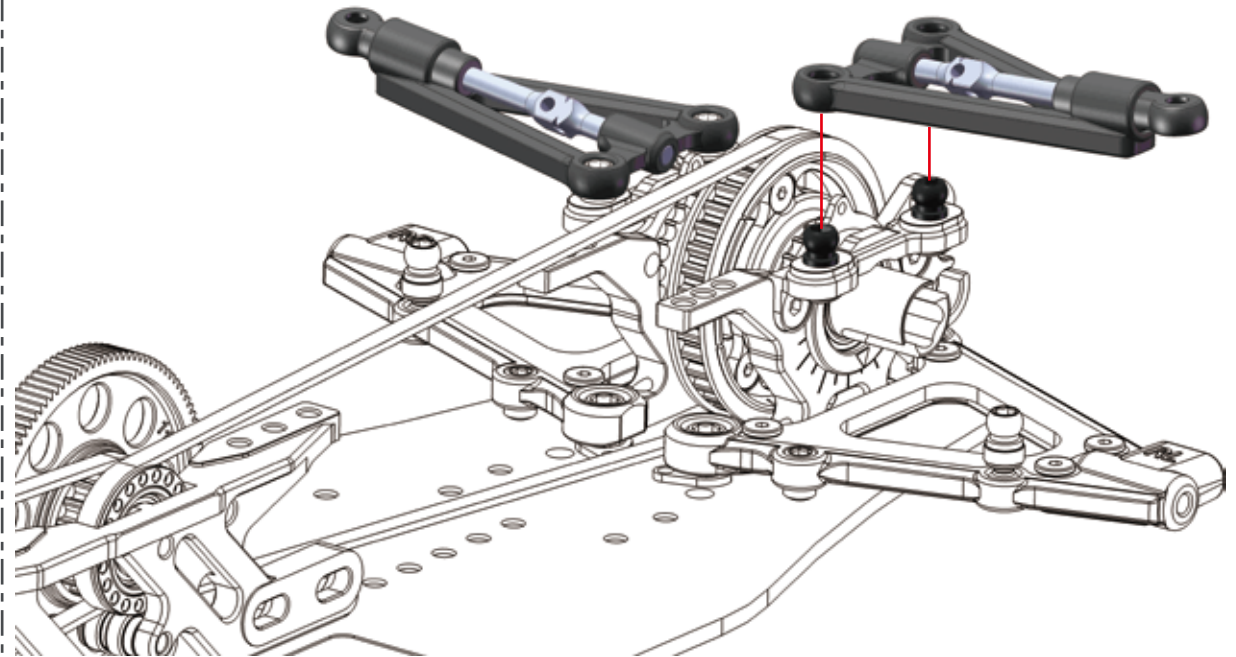
STEP 7

7.3



2X

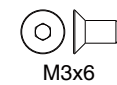
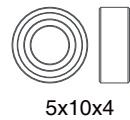
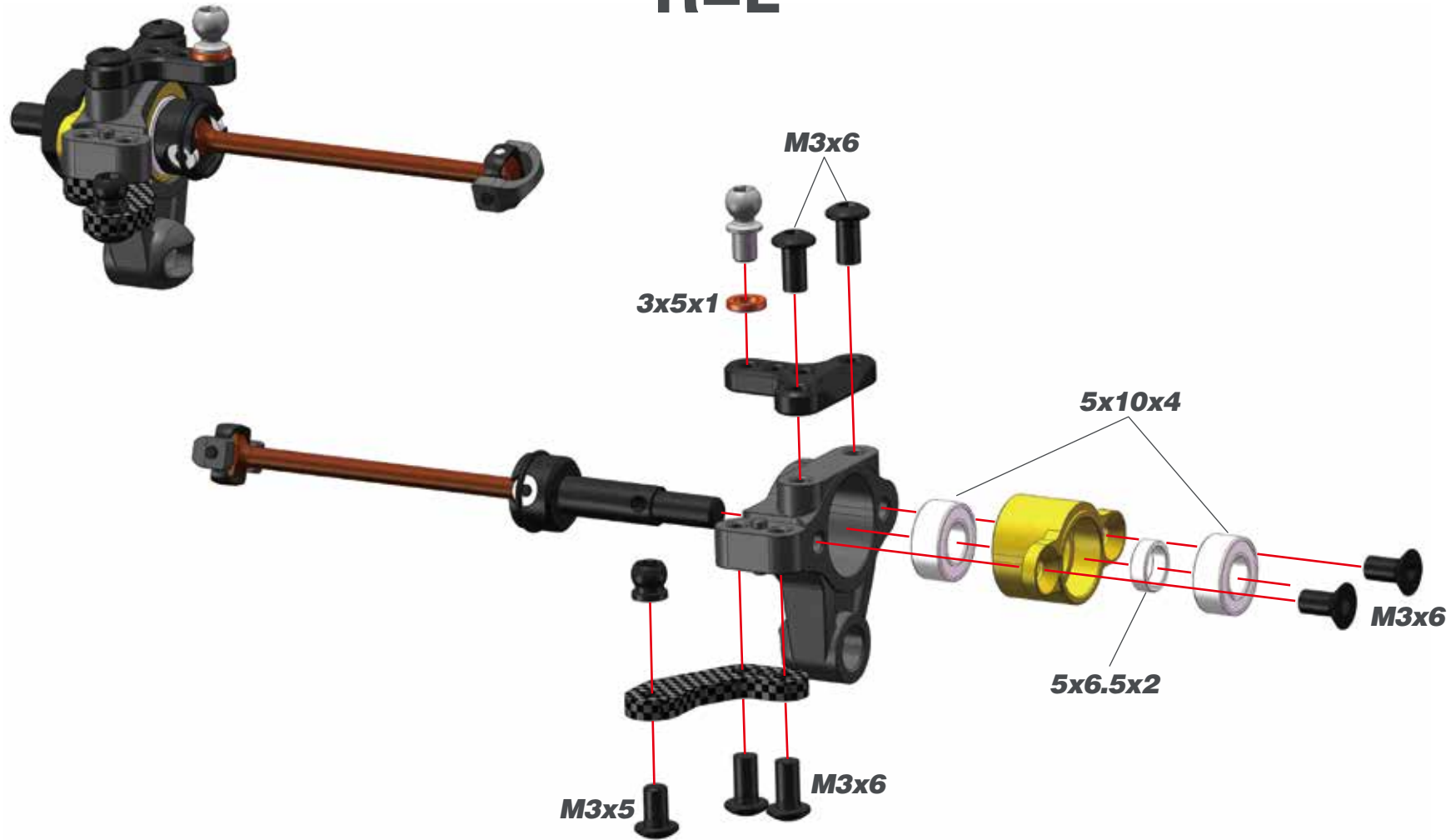
7.4



STEP 7

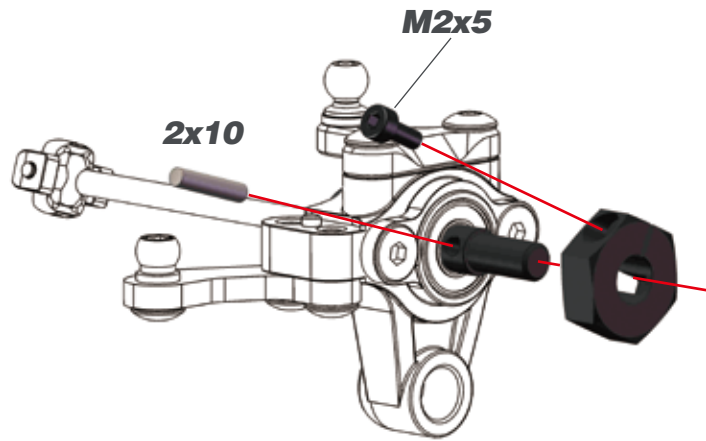
R=L

7.5

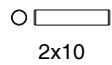
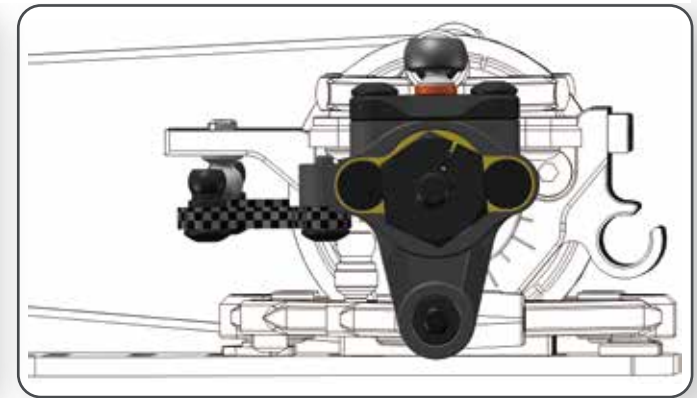
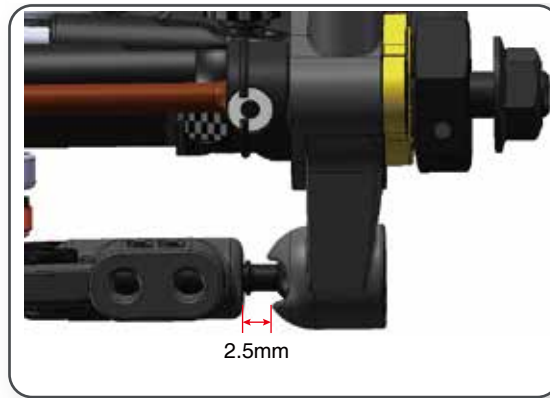
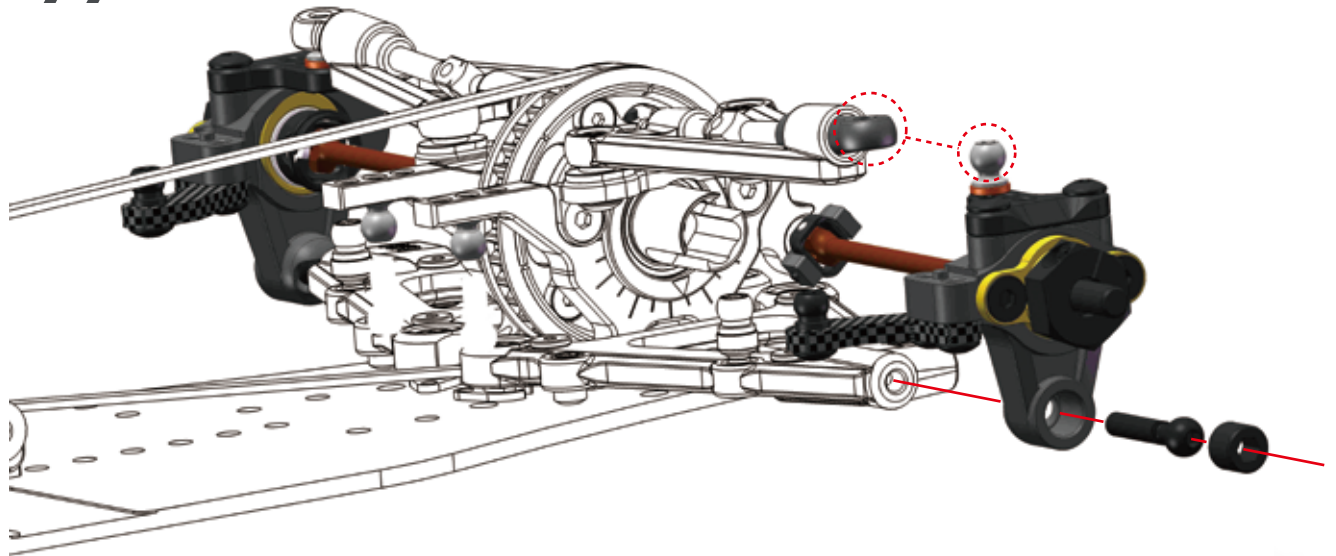


STEP 7

7.6

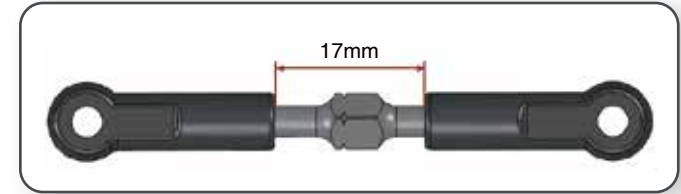
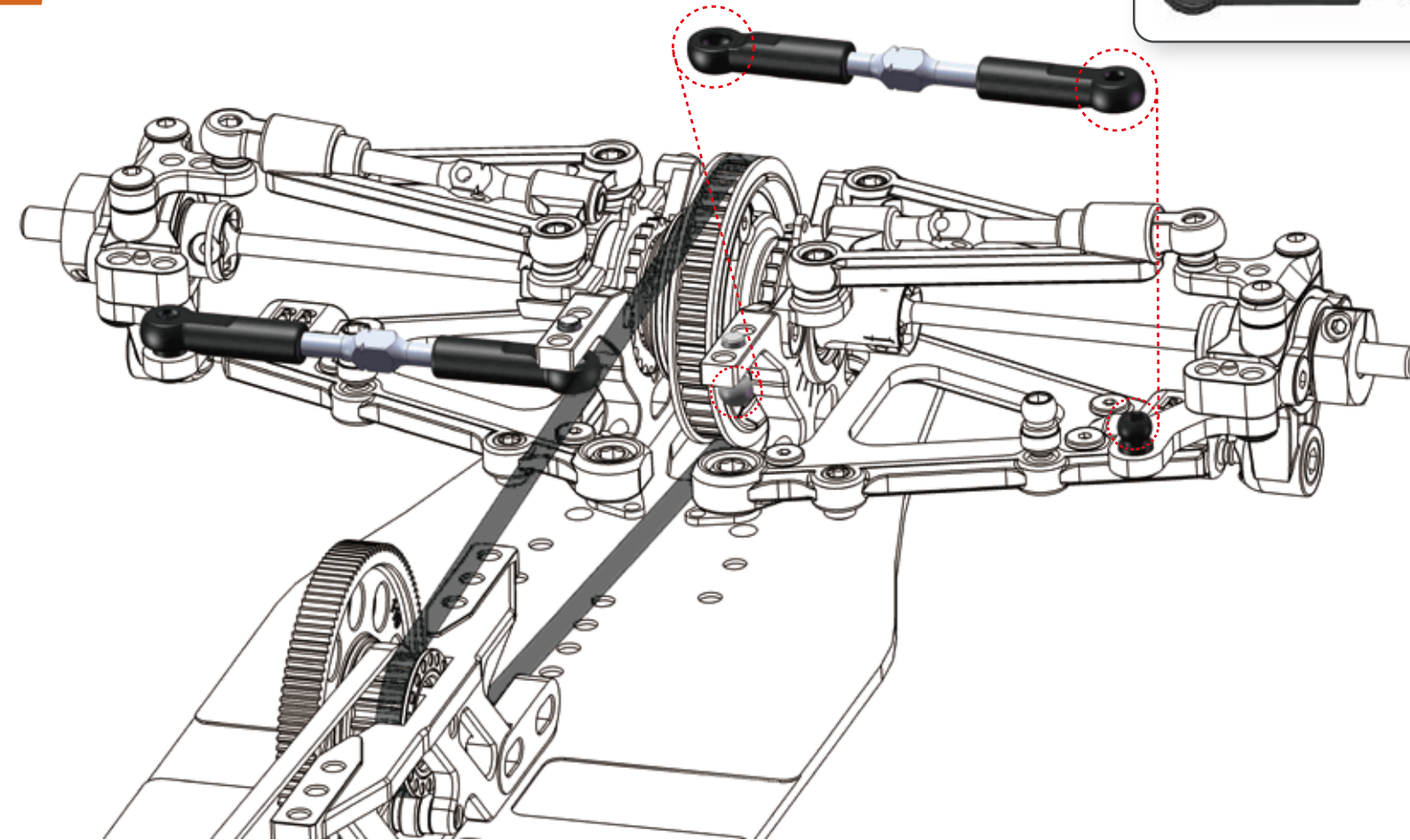


7.7



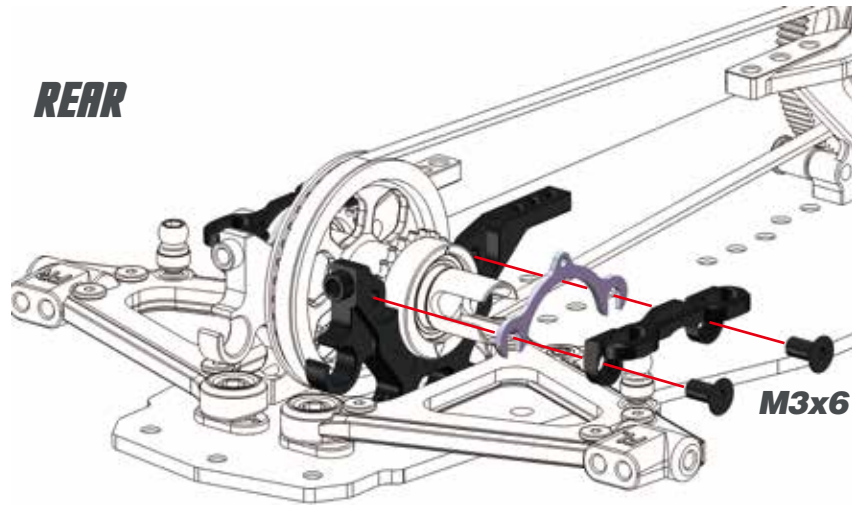
STEP 7

7.8

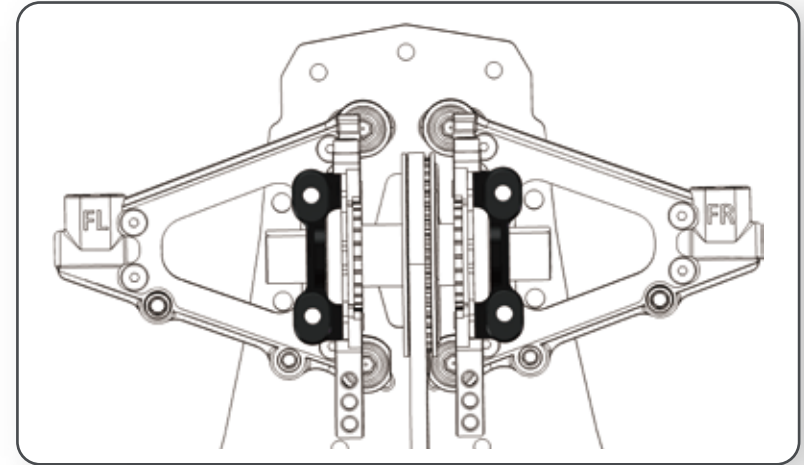
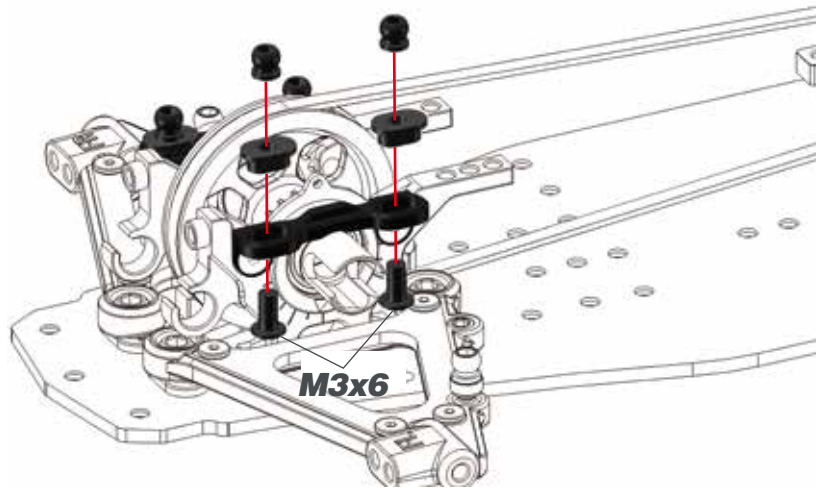


STEP 8 BAG 4

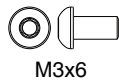
8.1 REAR



8.2

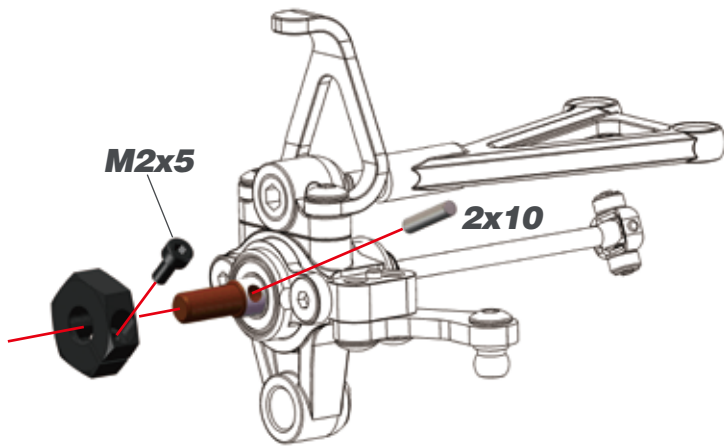


Lower arm 0 toe, caster angle:	Front	Lower arm 1 toe, caster angle:
	3°	1°
✓	4°	2°
	5°	3°
	6°	4°
	7°	5°
	8°	6°

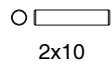
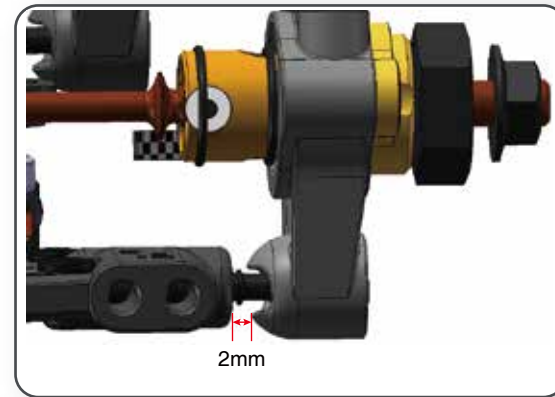
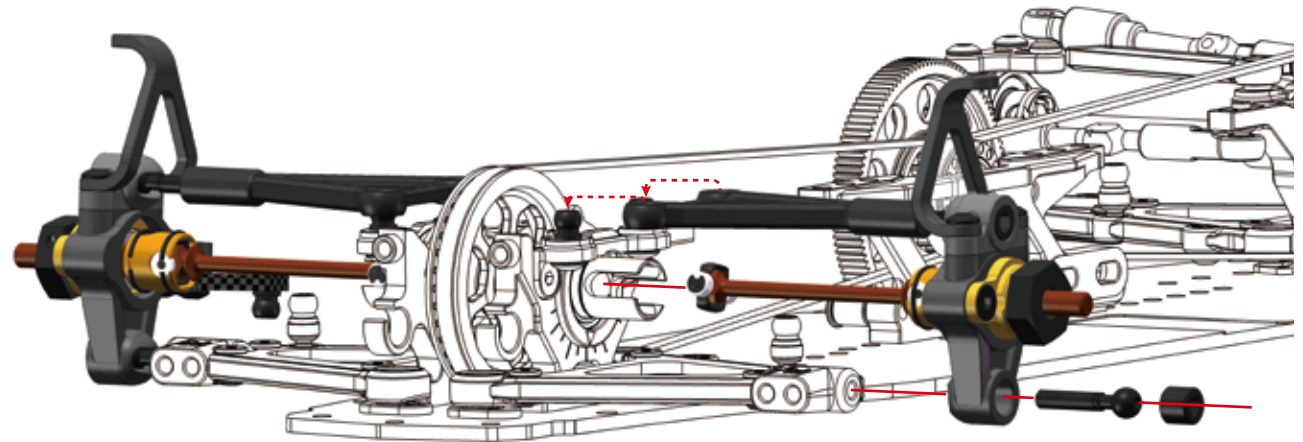


STEP 8

8.4



8.5



2x10



M2x5

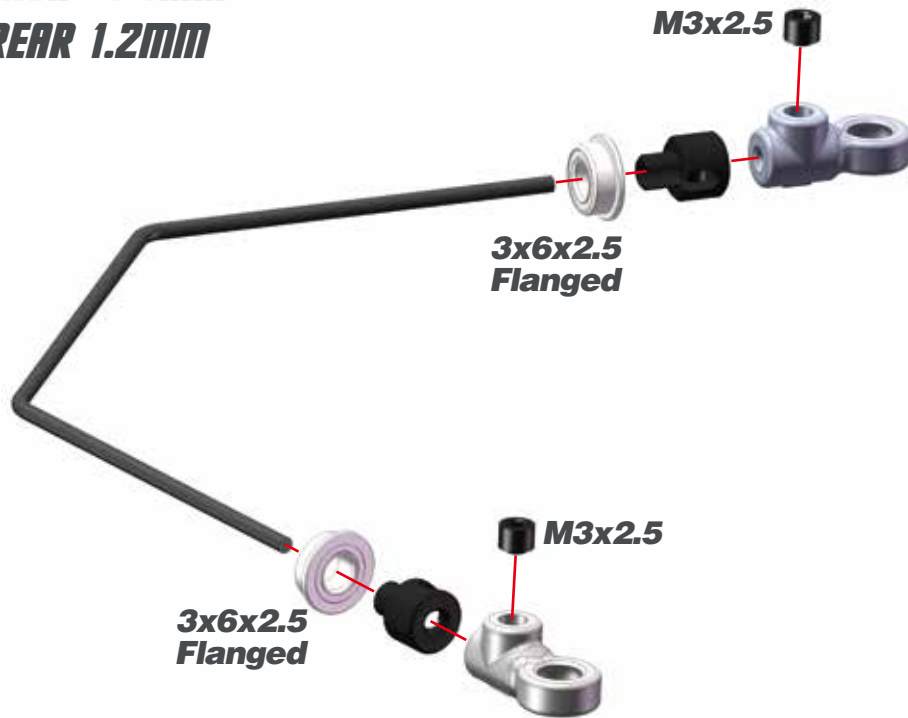
STEP 9

BAG 5

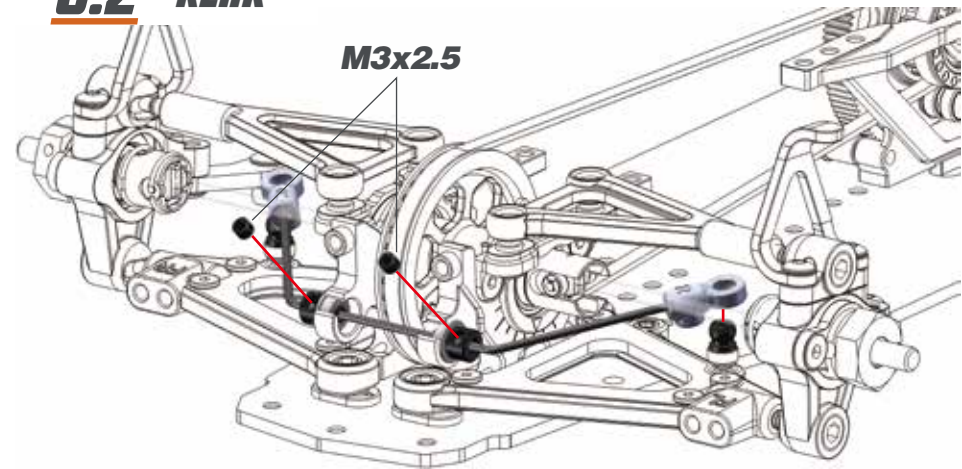
9.1 FRONT & REAR

FRONT 1.4MM

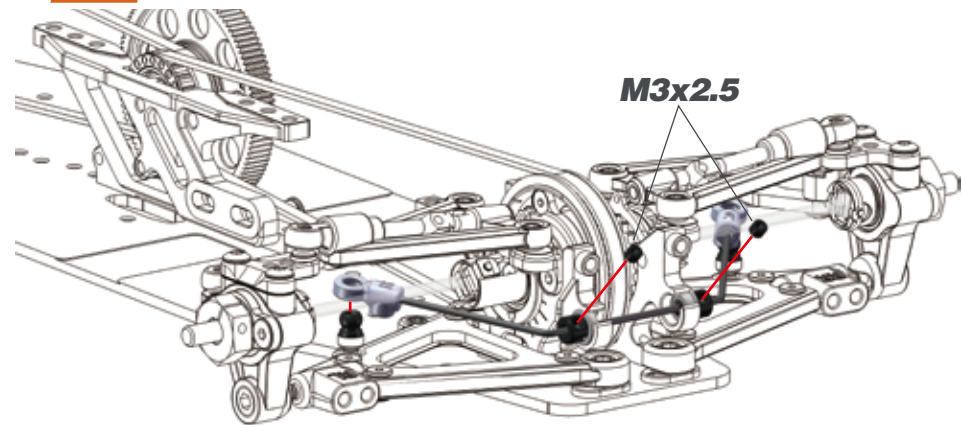
REAR 1.2MM



9.2 REAR

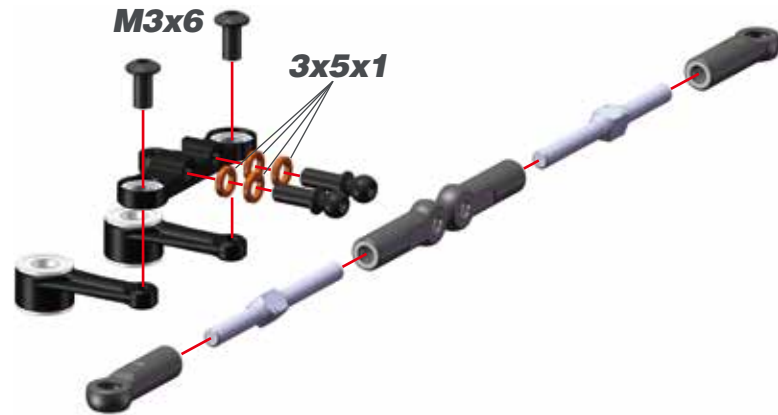
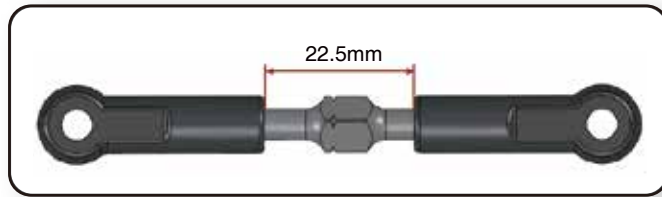


9.3 FRONT

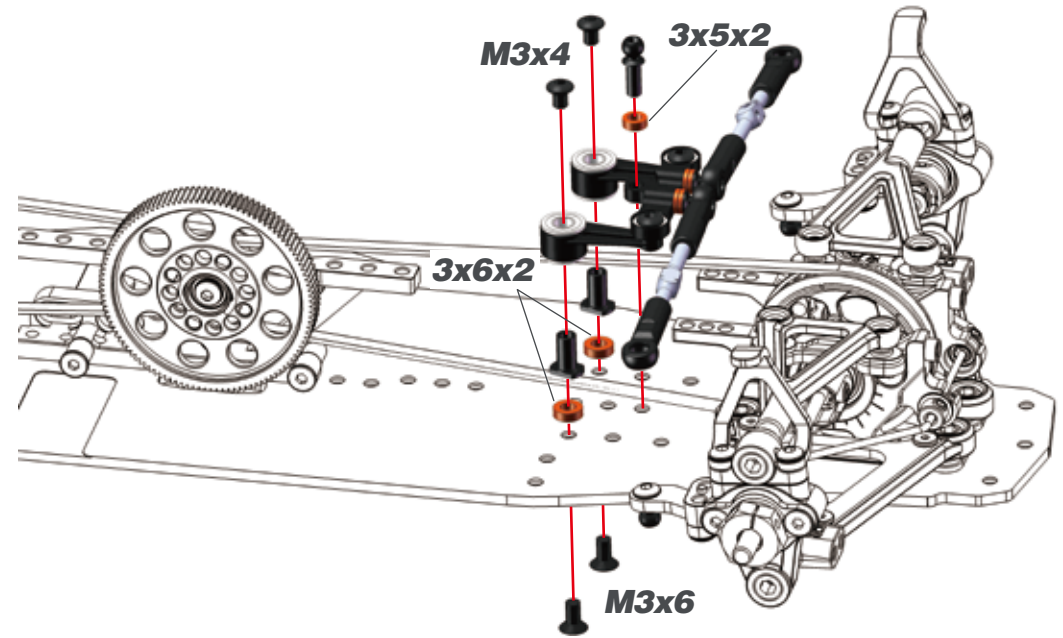


STEP 10

10.1

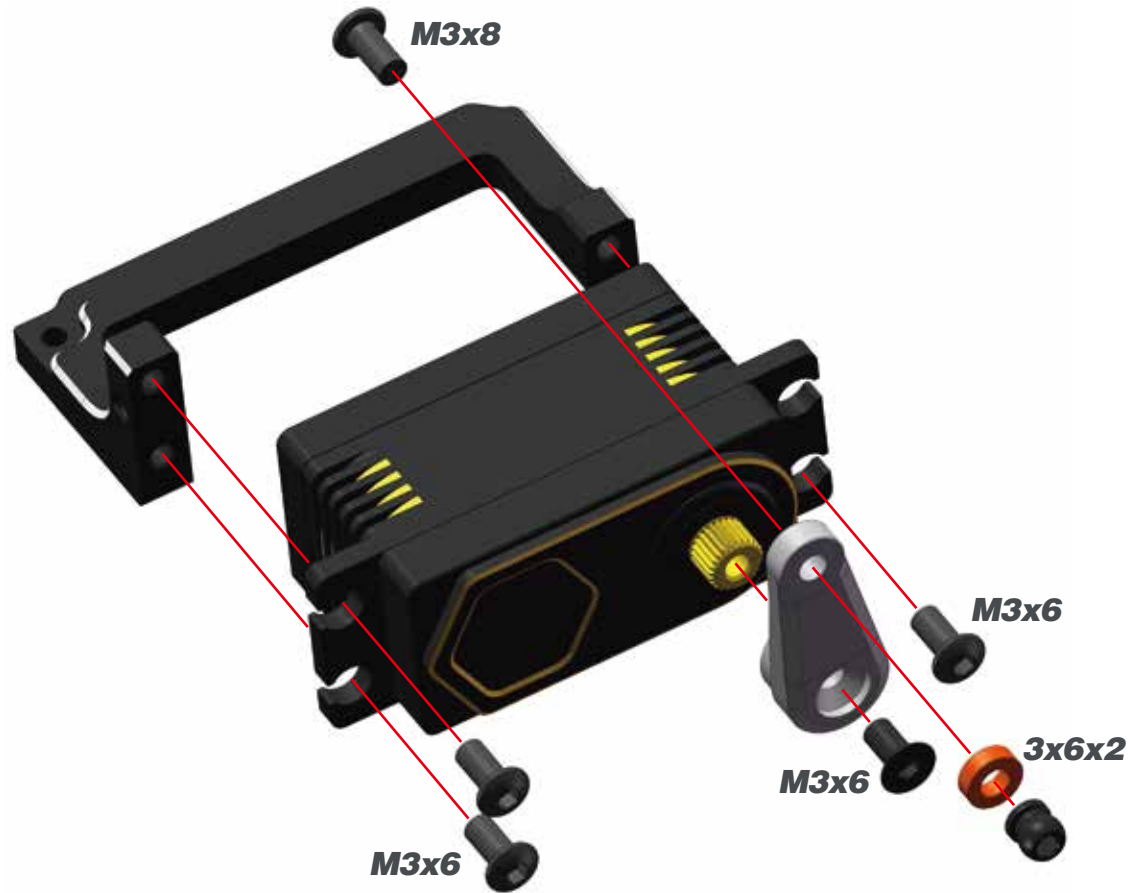


10.2



STEP 10

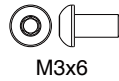
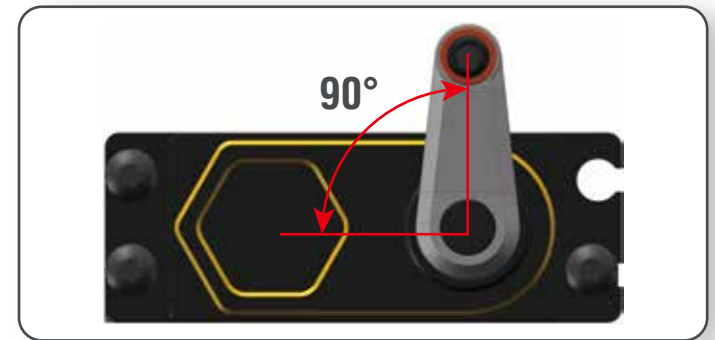
10.3



OPT

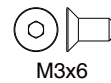
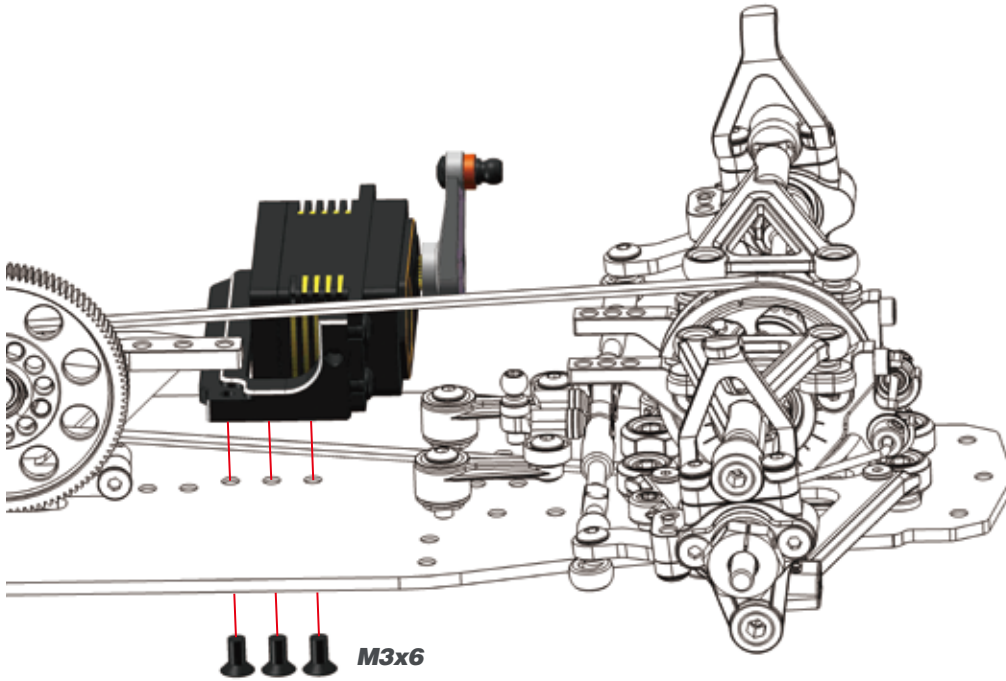


- 600290 Servo lever steering 23T alu
- 600291 Servo lever steering 24T alu
- 600292 Servo lever steering 25T alu

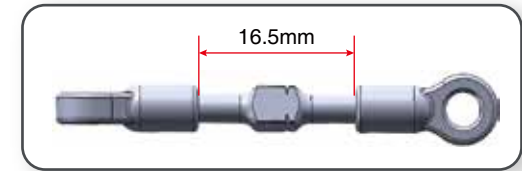


STEP 10

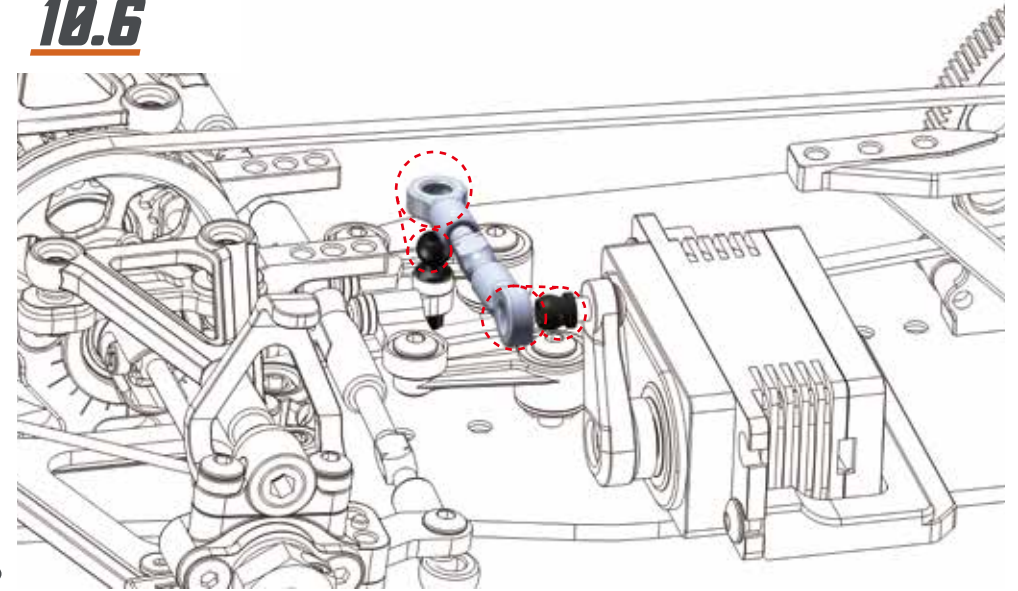
10.4



10.5



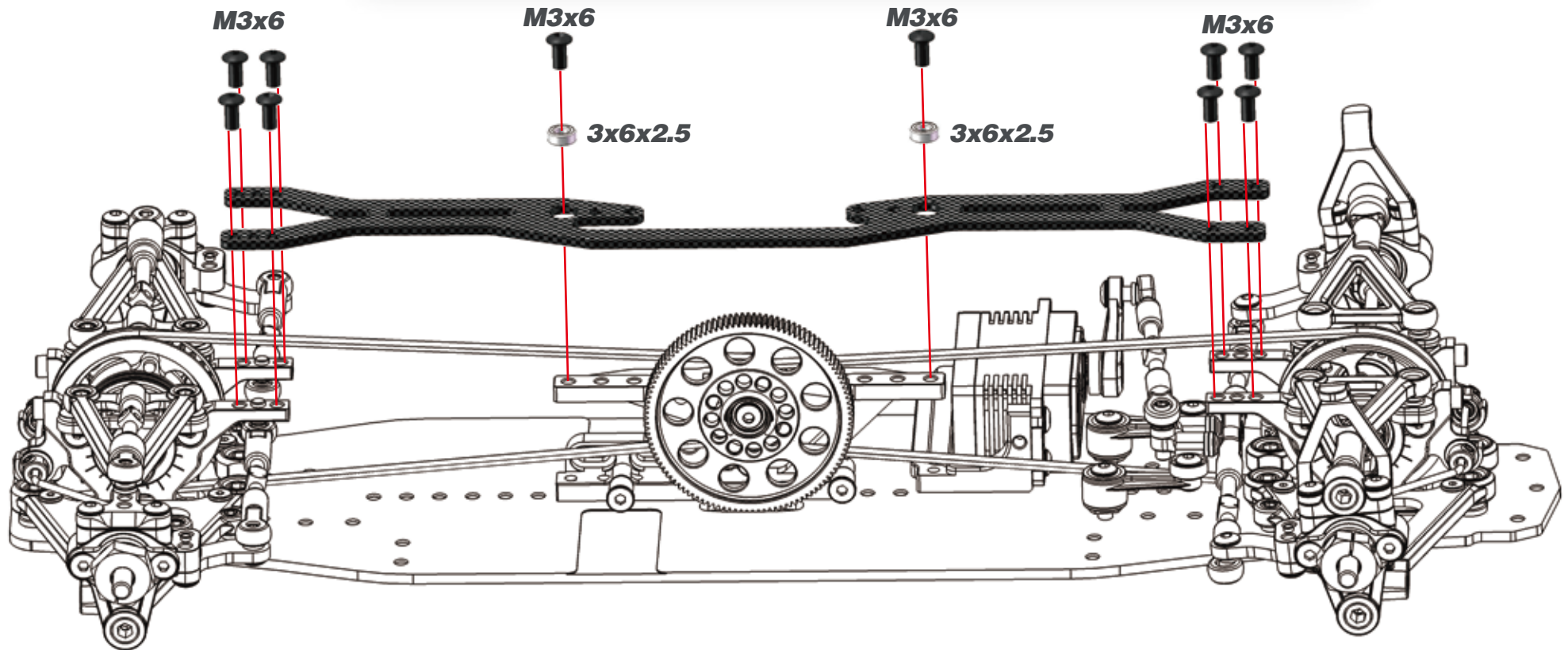
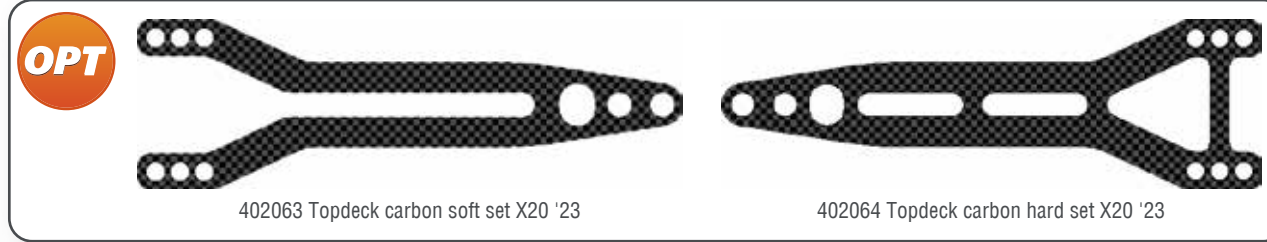
10.6



STEP 11

BAG 6

11.1

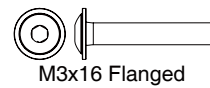
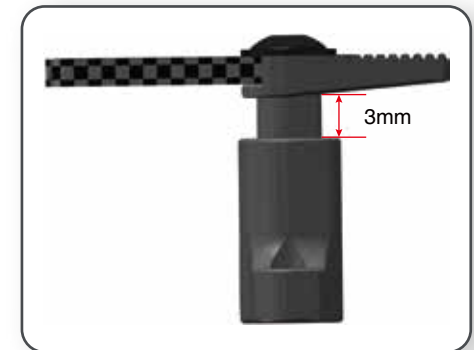


STEP 11

11.2

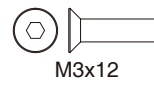
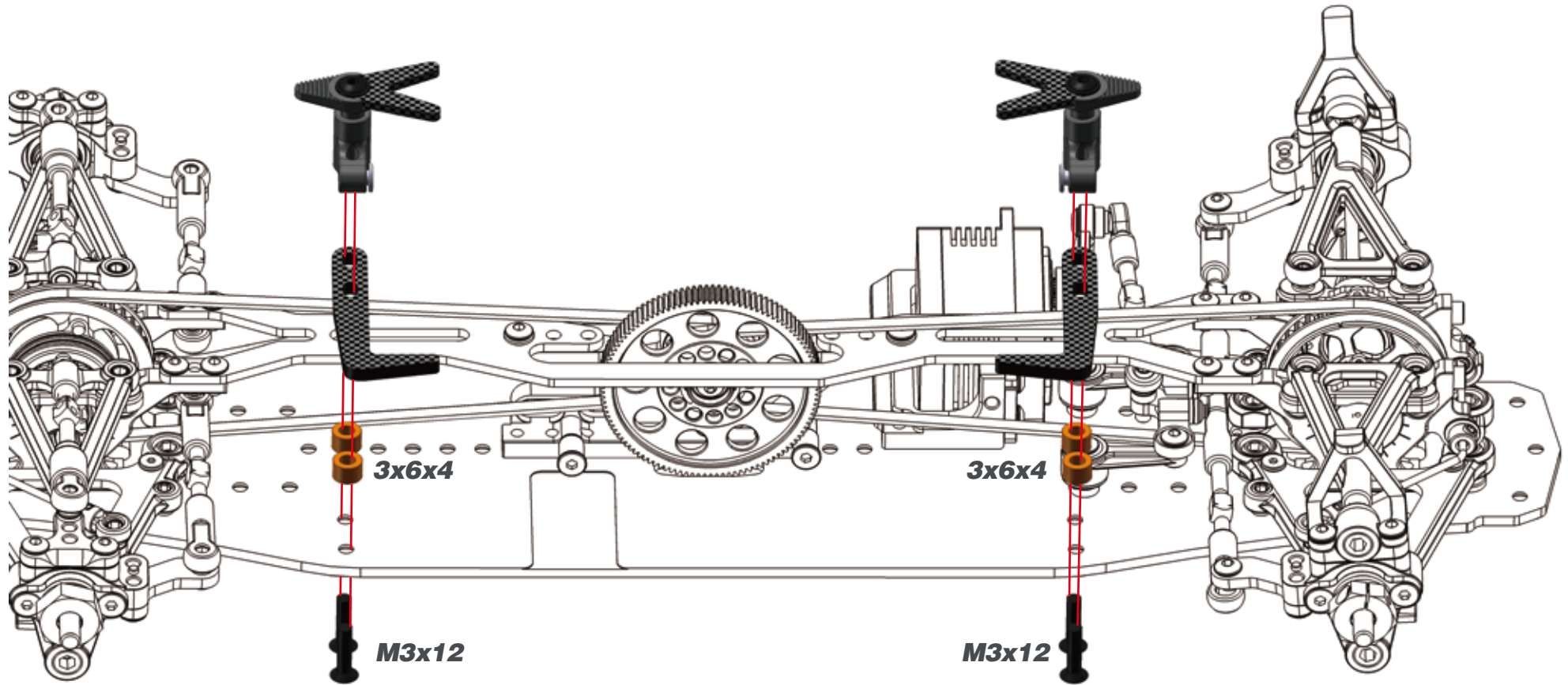
R=L

M3x16 Flanged



STEP 11

11.3



STEP 12 SHOCK BAG

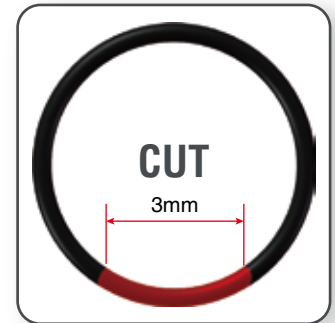
12.1



12.2



12.3



STEP 12

12.4




12.5



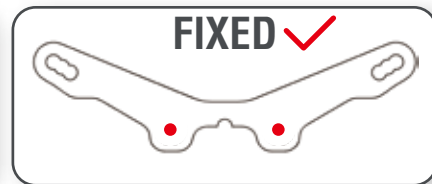
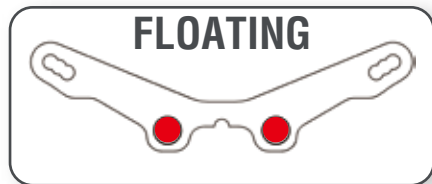
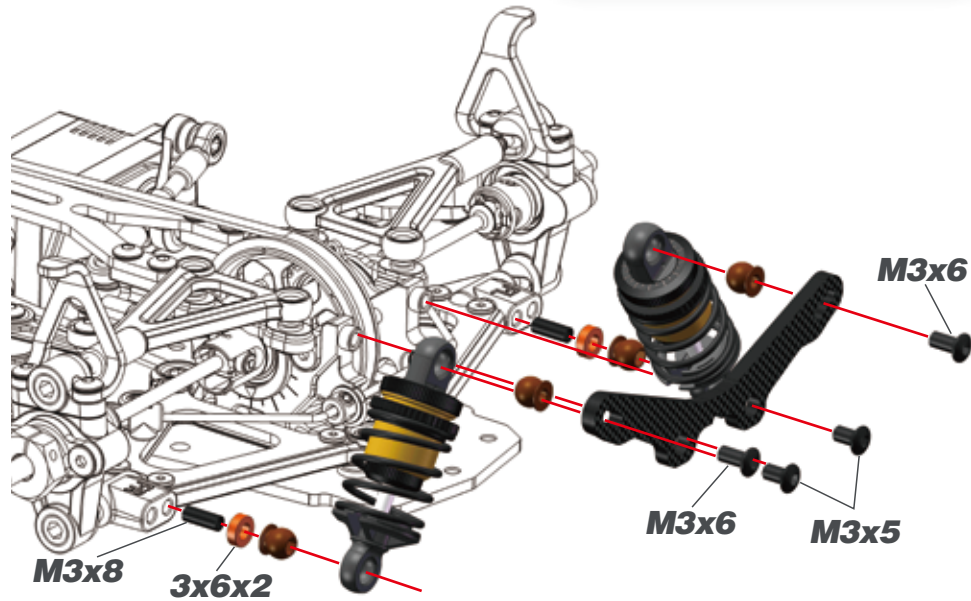
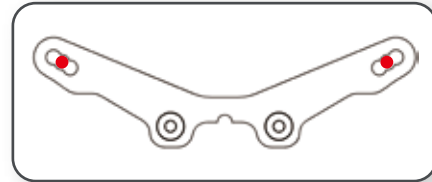
12.6



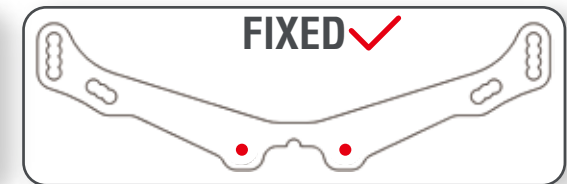
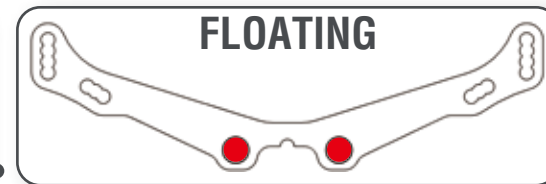
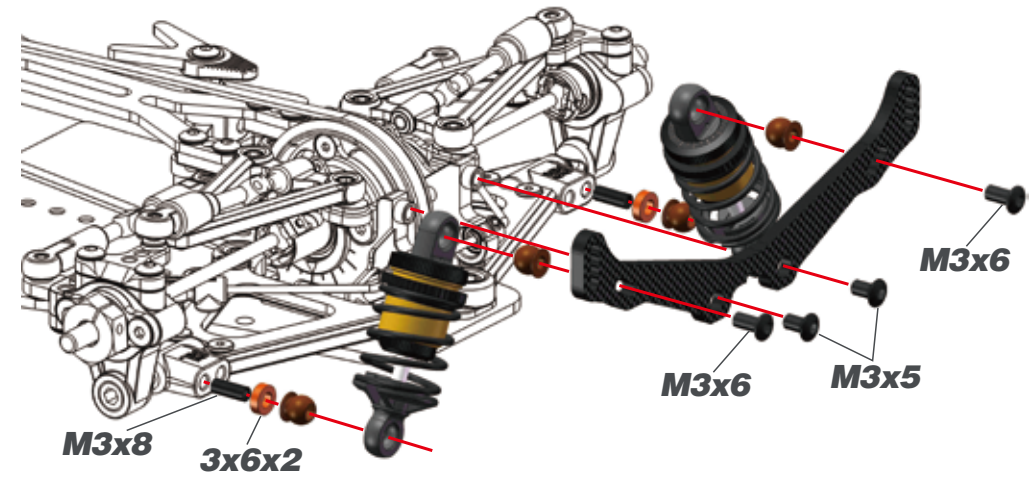
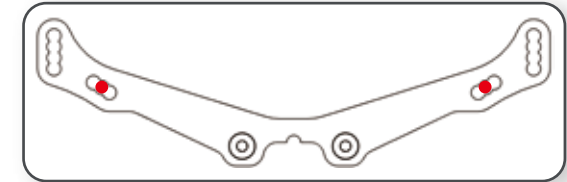
OPT  160156 Shock spring support low onroad alu (4)

STEP 13 BAG 7

13.1 FRONT

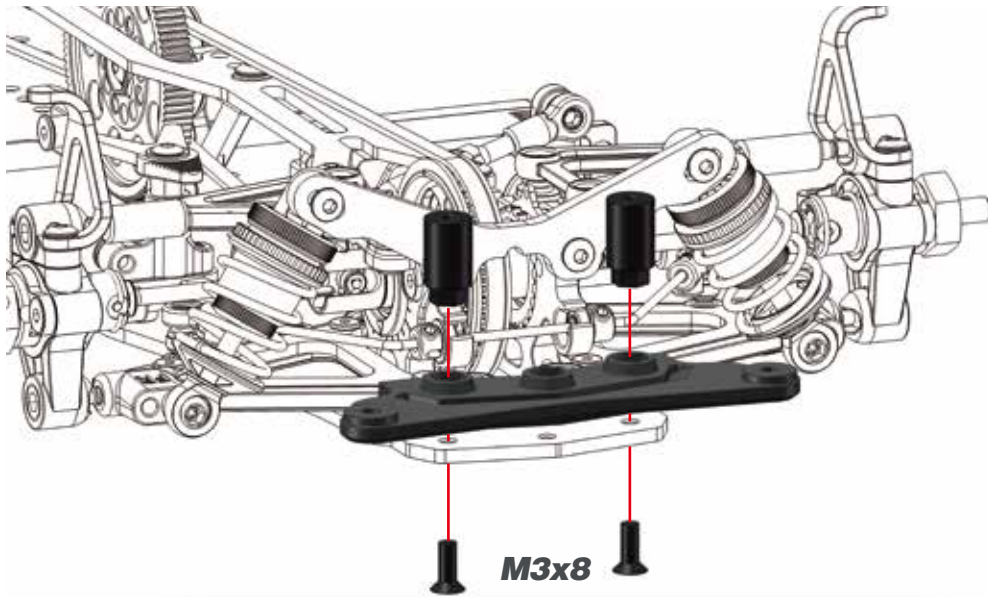


13.2 REAR



STEP 14

14.1

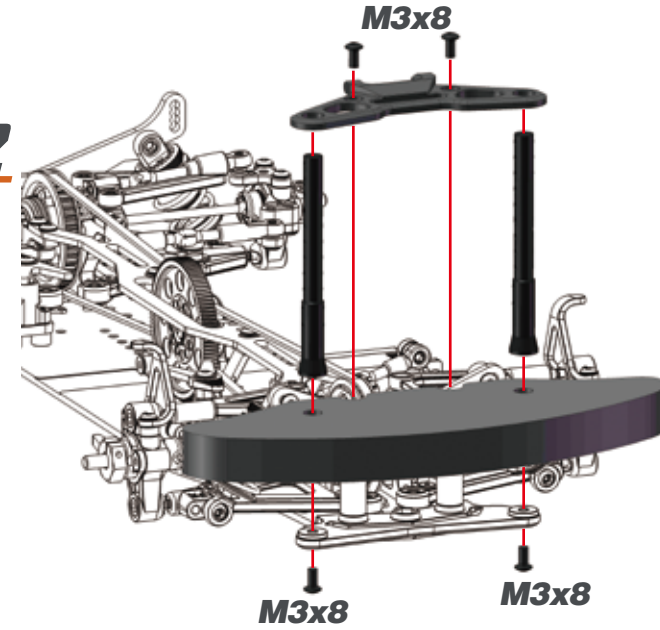


OPT  401954 Bumper top carbon X20 '21

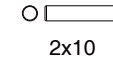
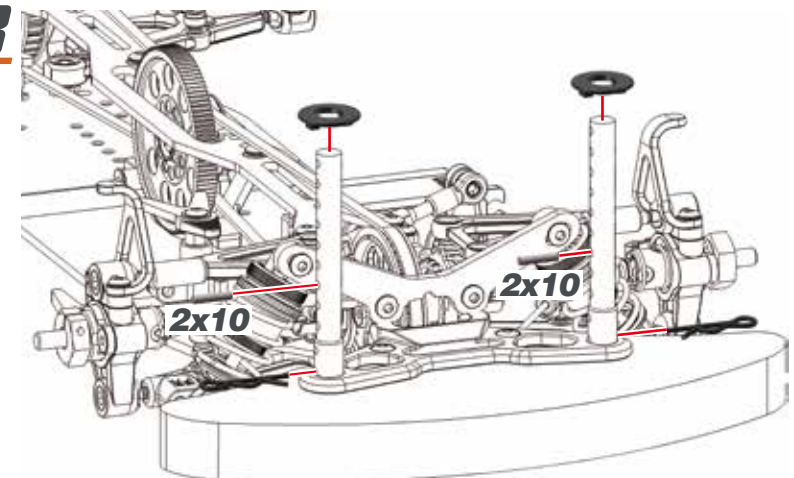
OPT  401602 Body-height fine-tuner alu (4)



14.2

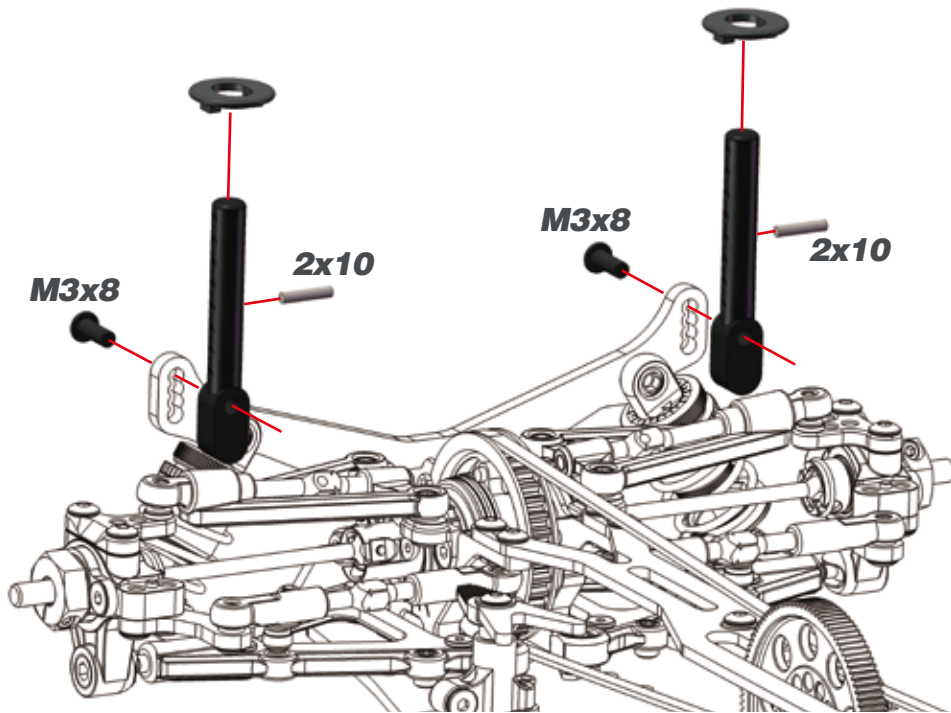


14.3



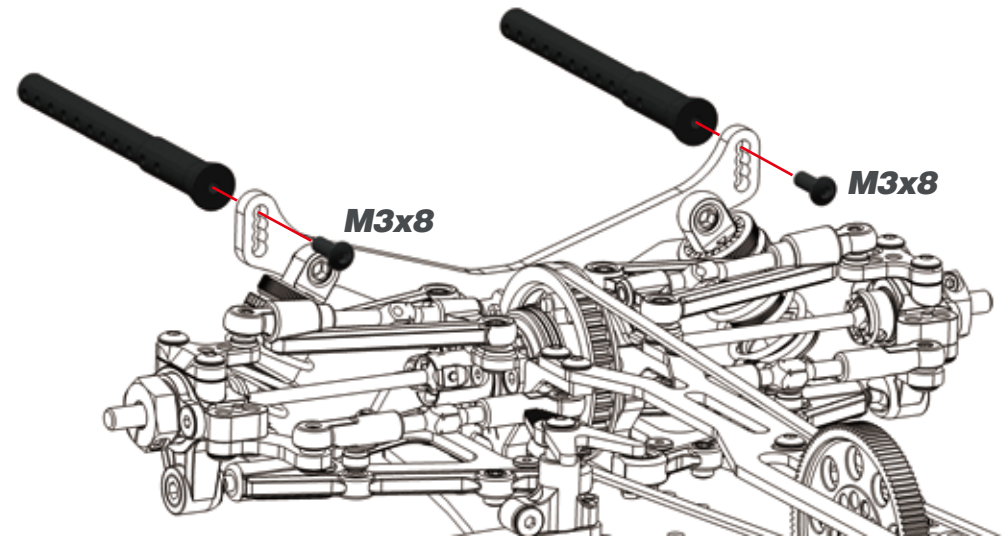
STEP 14

14.4



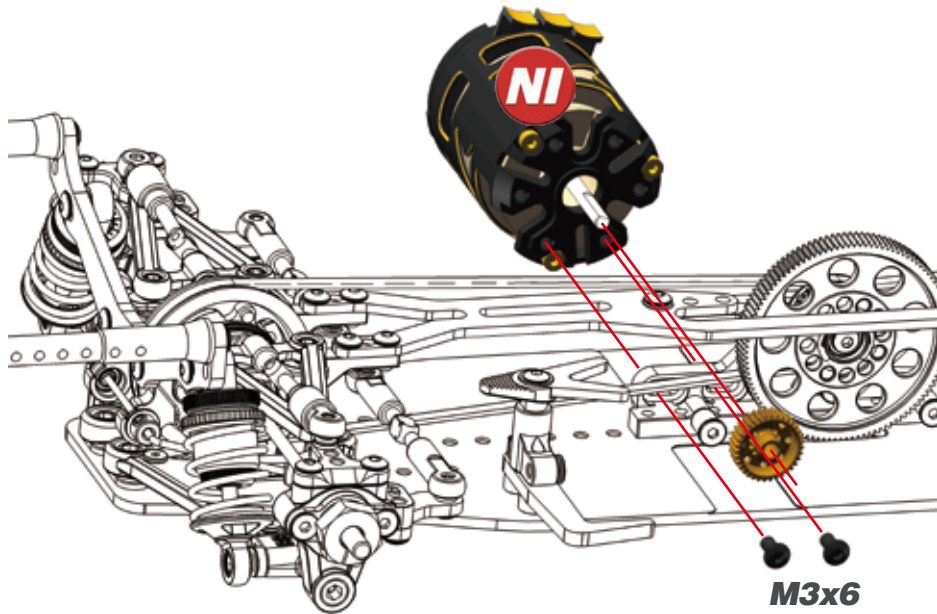
or

14.5



STEP 15

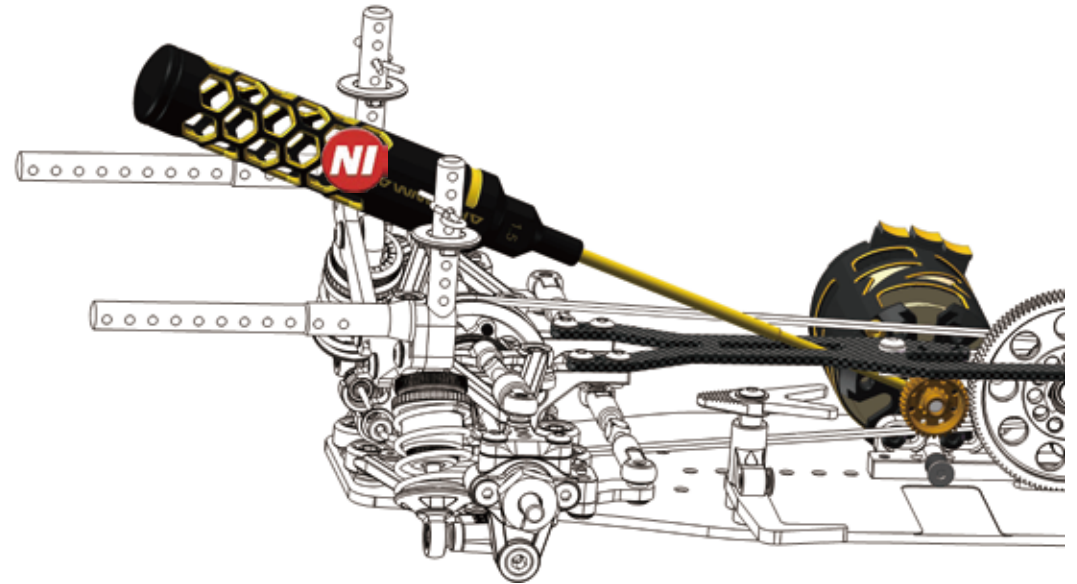
15.1



15.2

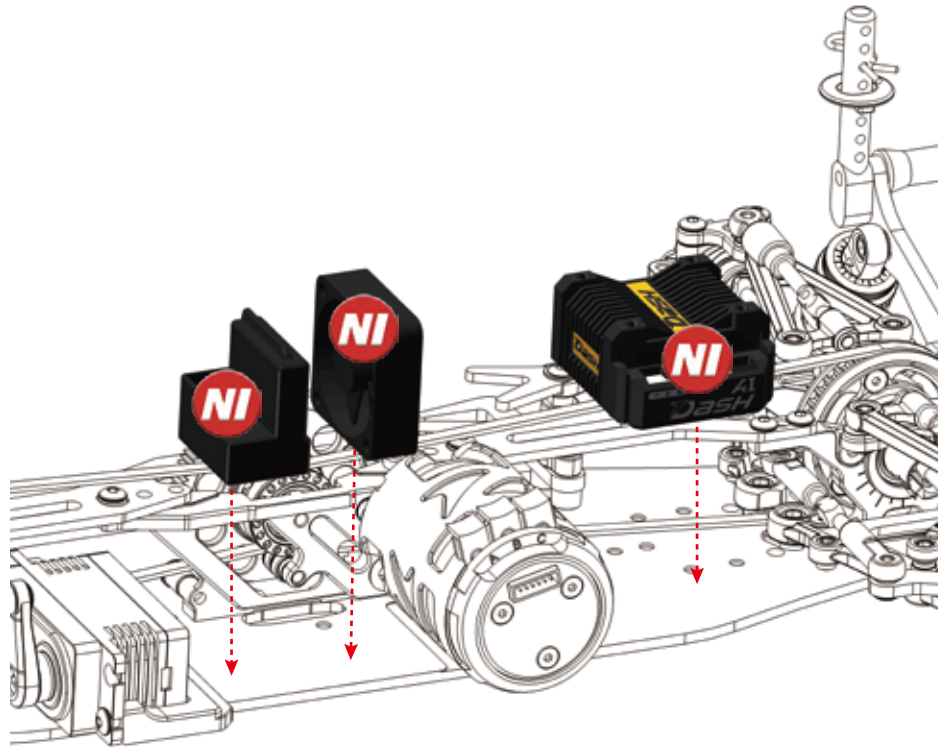


Lock the pinion screw from that way.

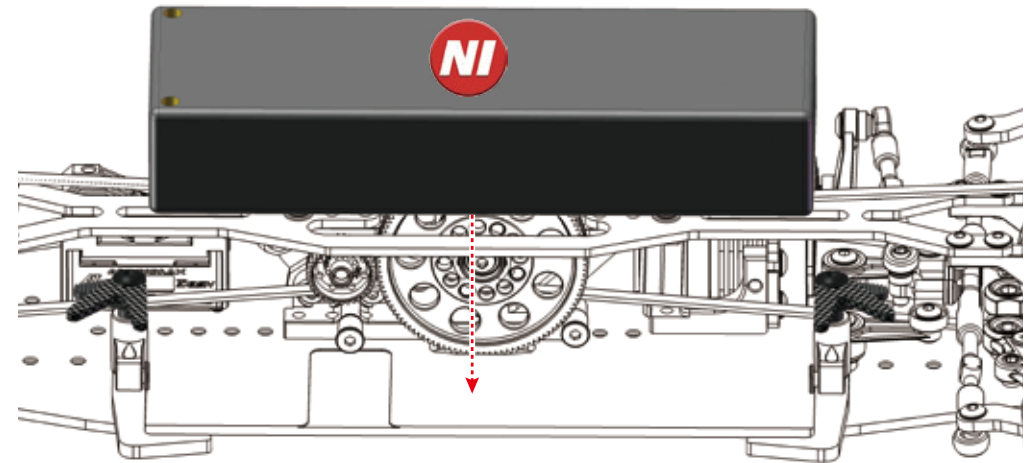
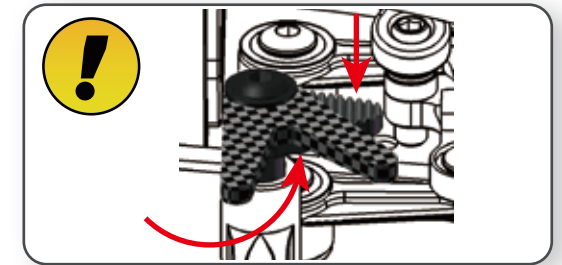


STEP 15

15.3

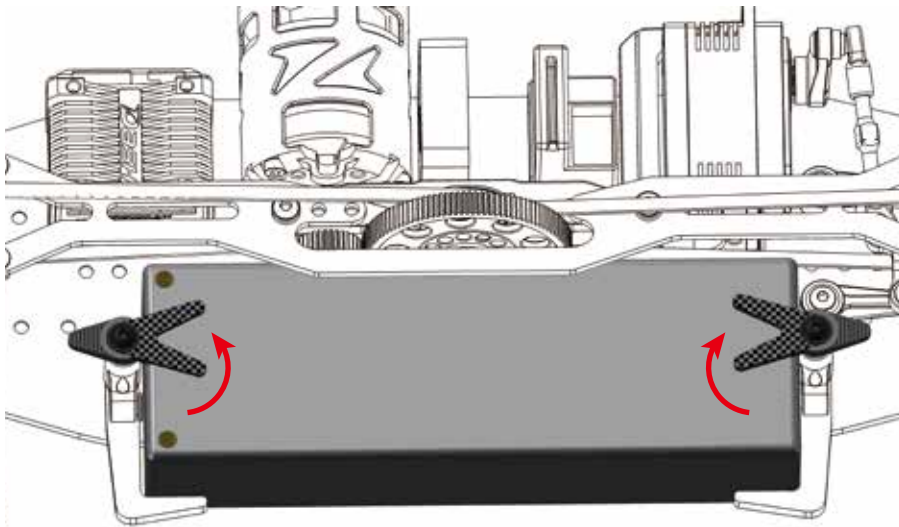


15.4

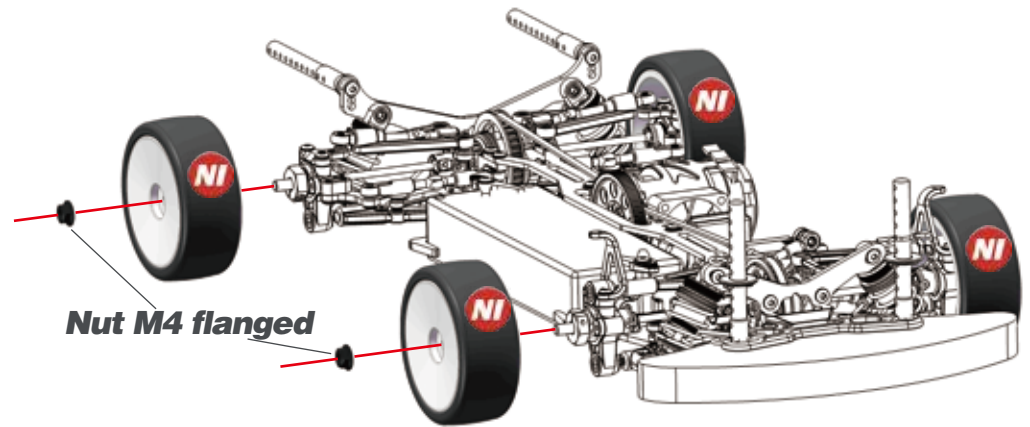


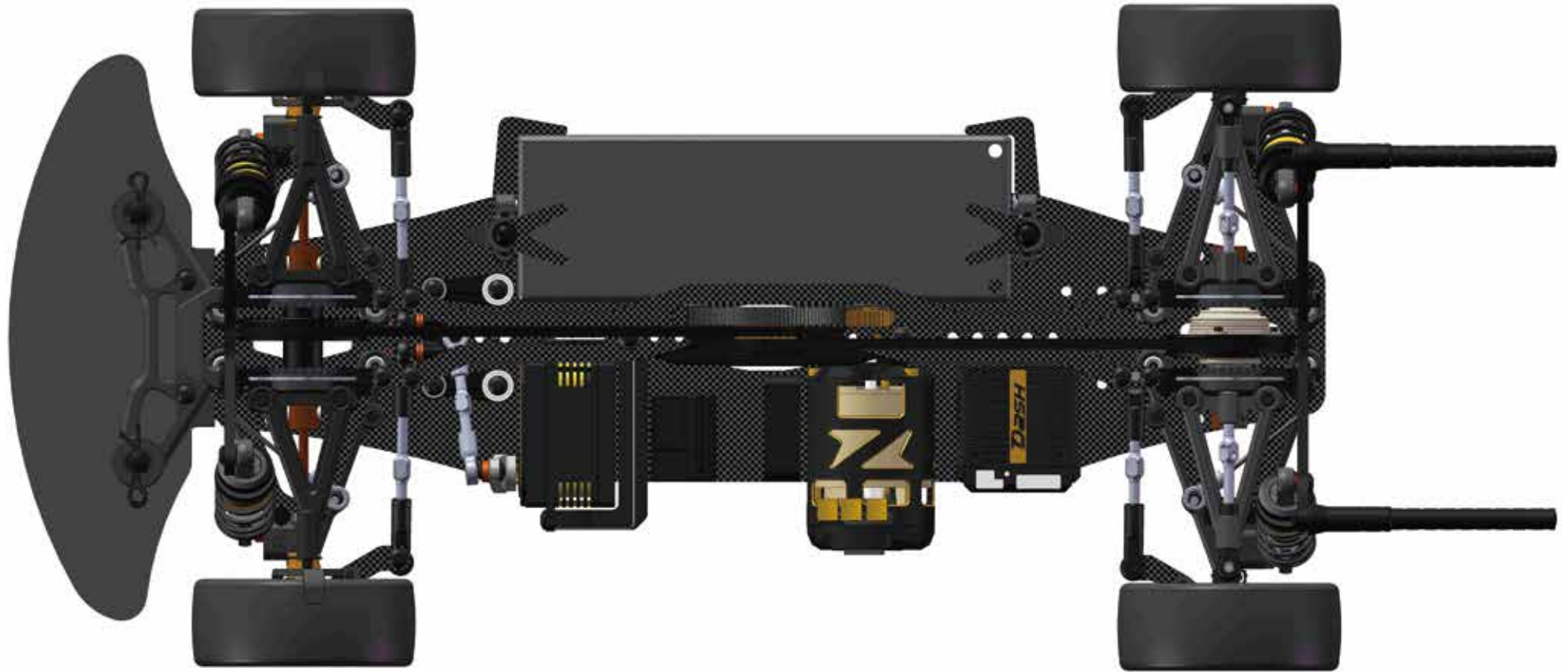
STEP 15

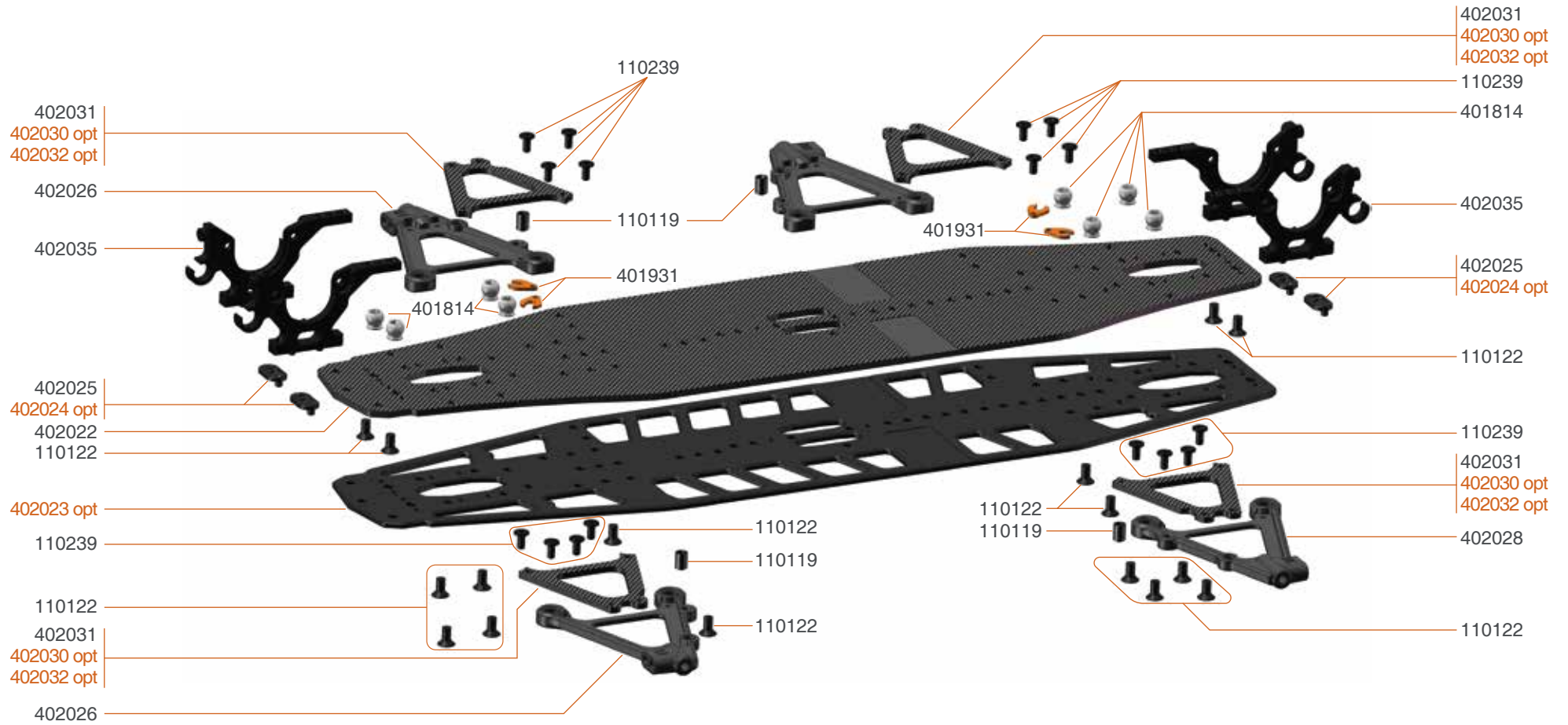
15.5



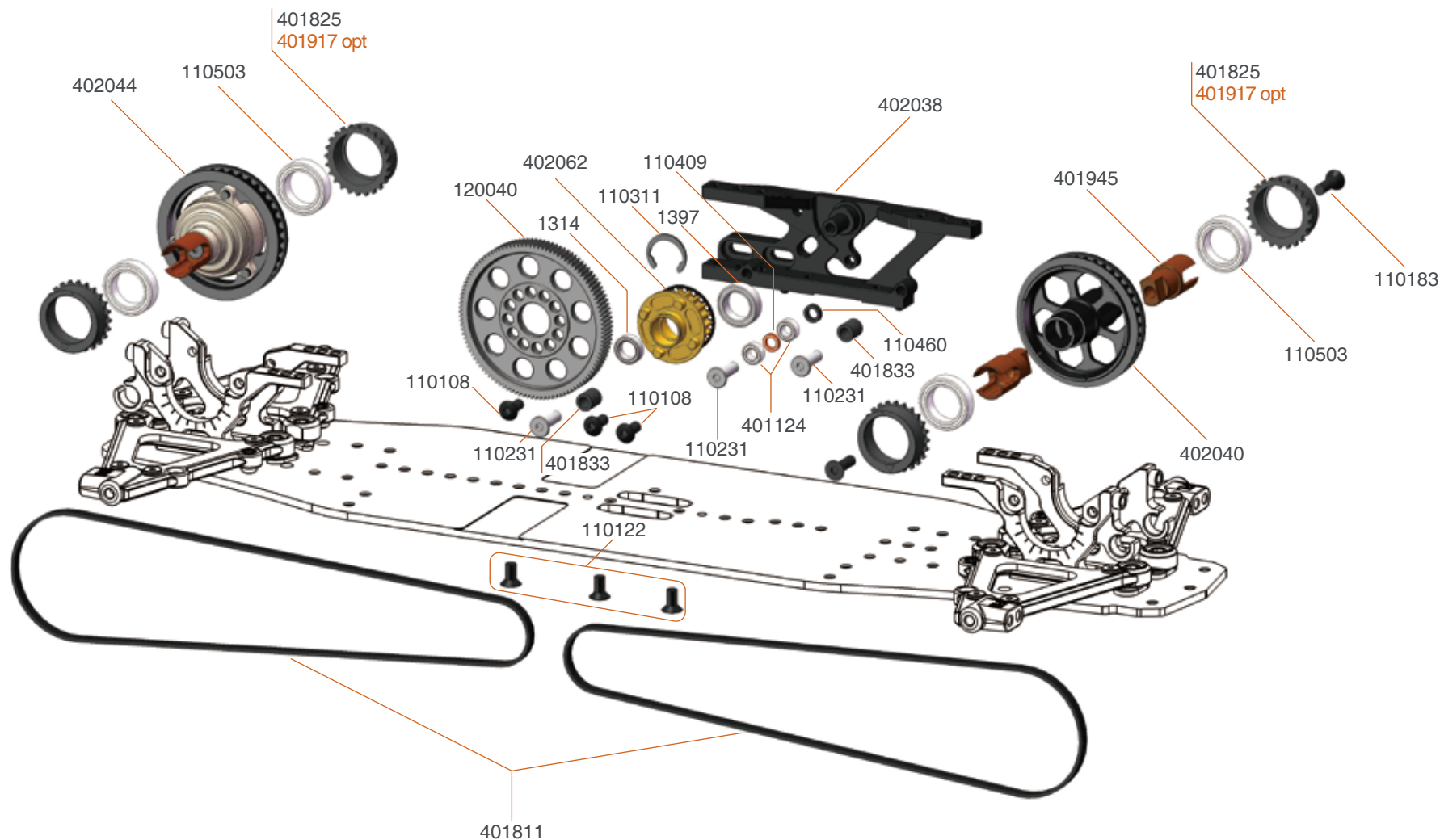
15.6







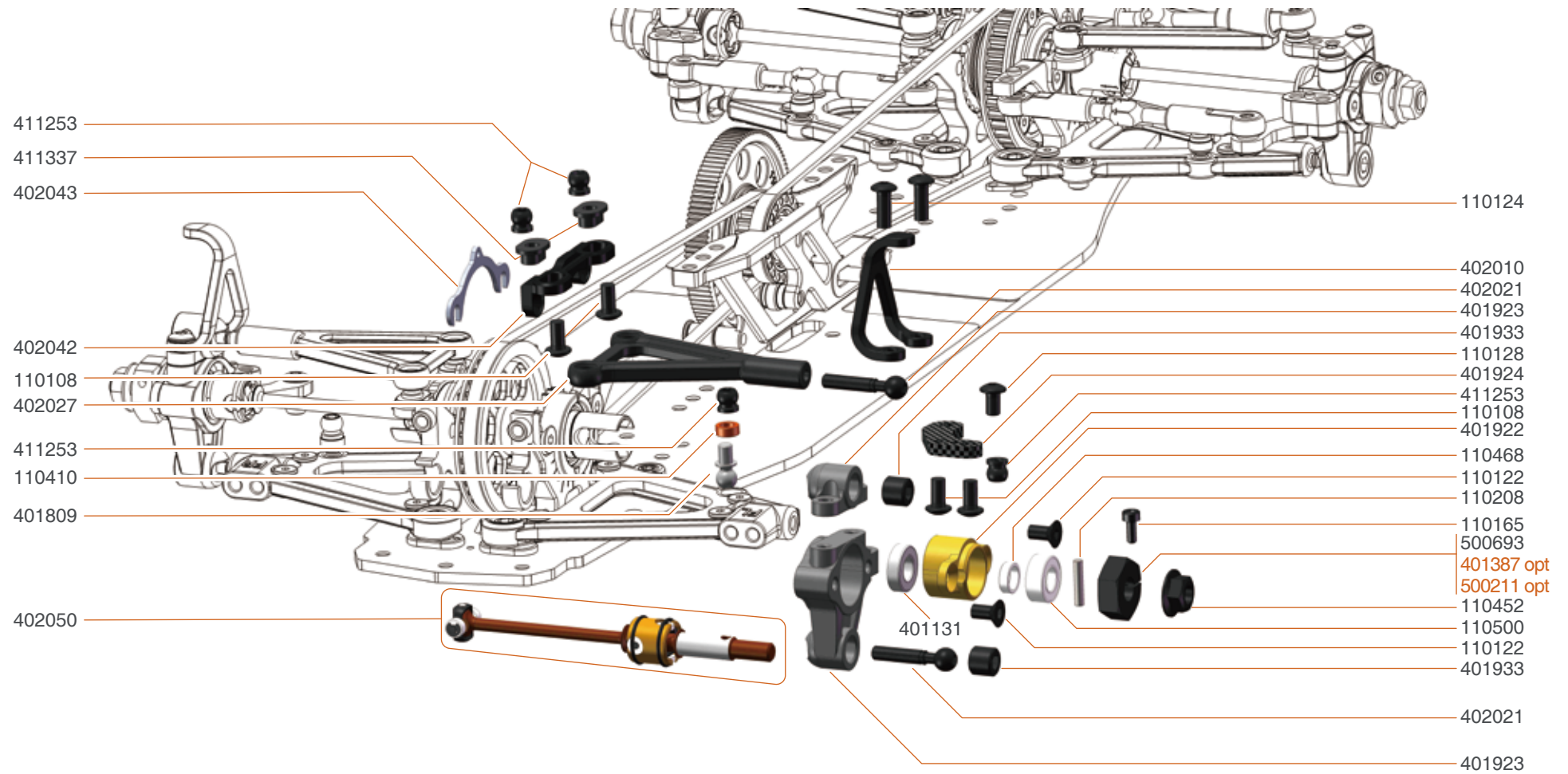
- 402023 Chassis alu soft X20 '23
- 402024 Suspension insert lw 0.5deg (4) X20 '23
- 402030 Wishbone stiffner carbon S (4) X20 '23
- 402032 Wishbone stiffner carbon H (4) X20 '23



401917 Bearing excenter fr/r (4) alu X20
 402066 Motormount weight 5gr X20 '23
 402067 Motormount weight 10gr X20 '23

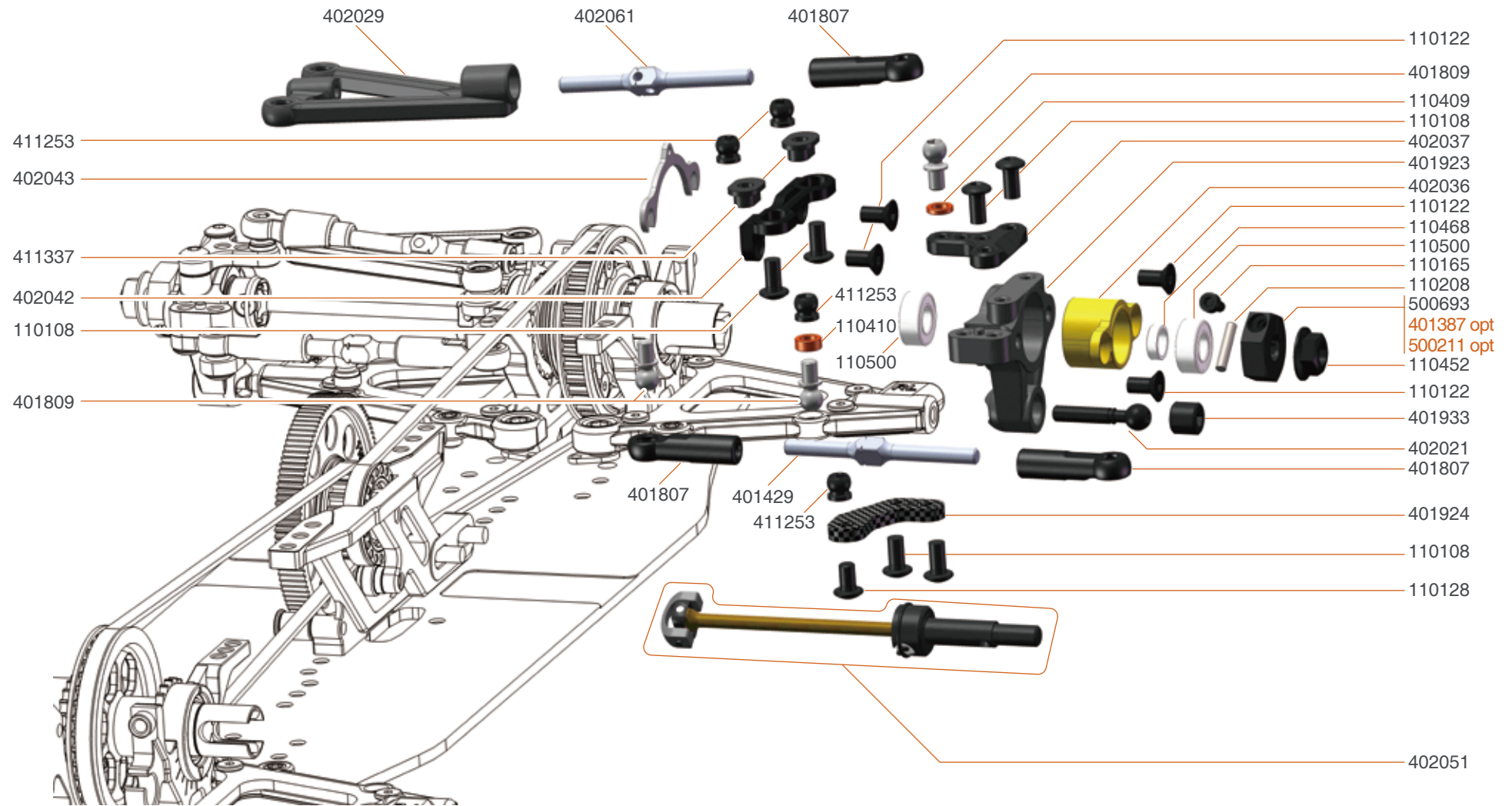
120007 Spur gear 64P / 100T
 120008 Spur gear 64P / 104T
 120009 Spur gear 64P / 108T

120010 Spur gear 64P / 112T
 120012 Spur gear 64P / 114T
 120013 Spur gear 64P / 106T



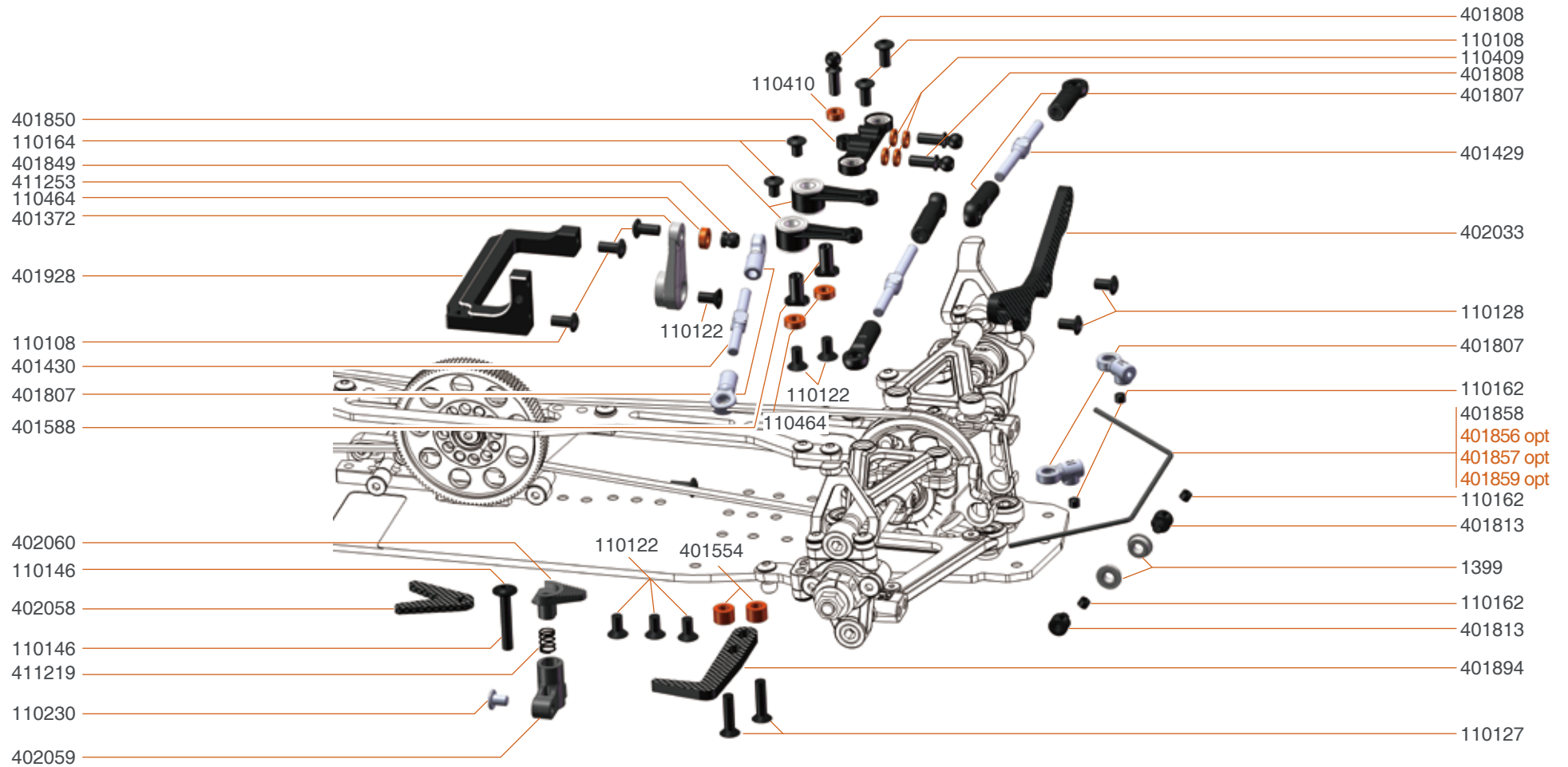
- 401387 Wheelhexagon 1mm offset (2)
- 500211 Wheelhexagon +0.75mm offset (2)



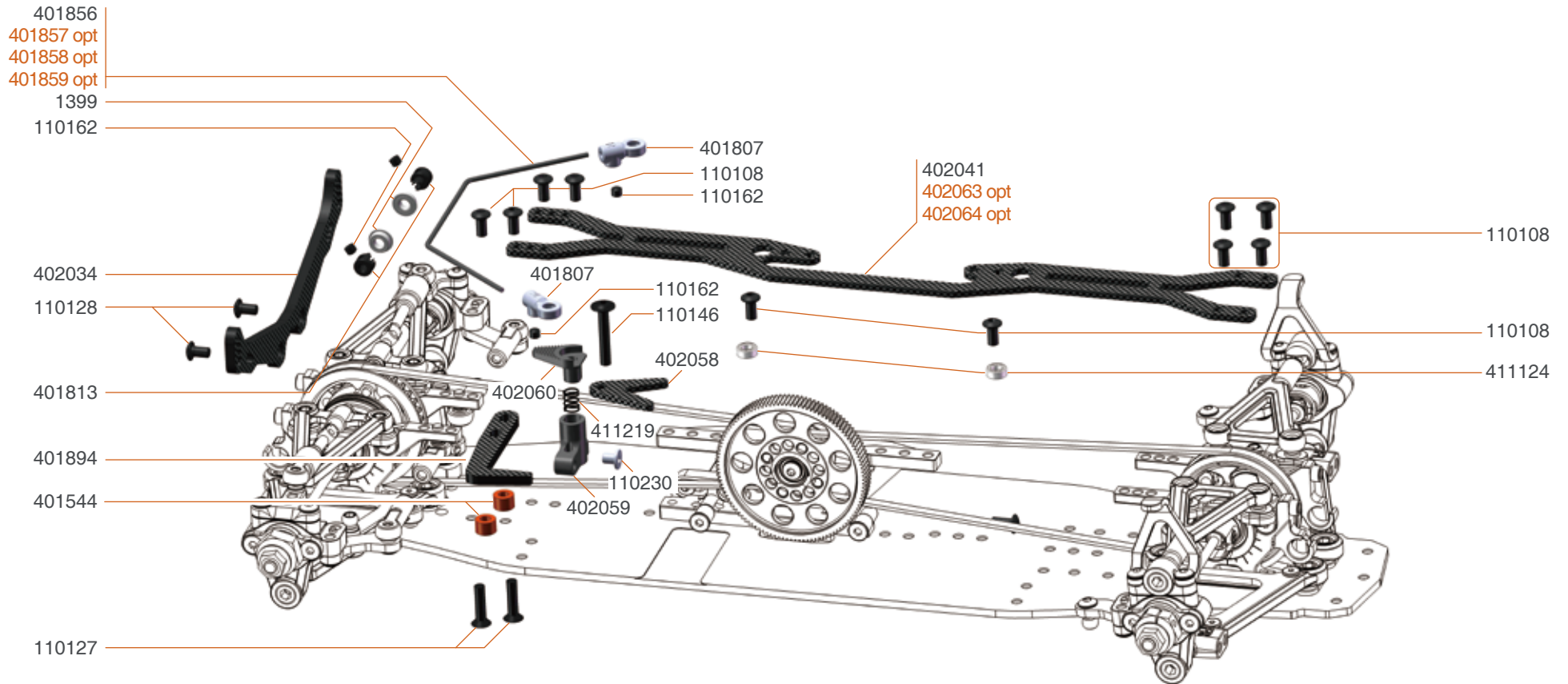


401387 Wheelhexagon 1mm offset (2)
 500211 Wheelhexagon +0.75mm offset (2)



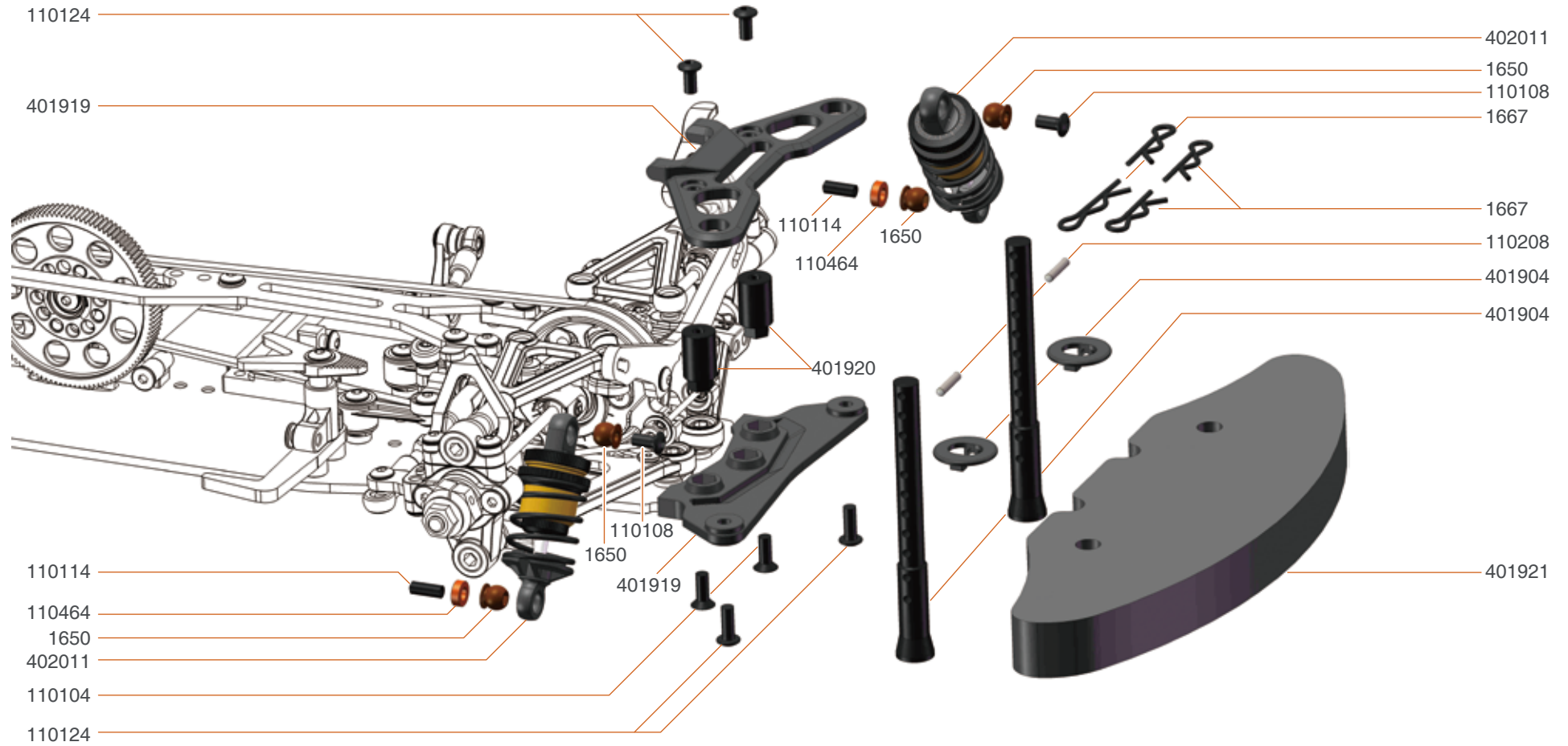


- 401856 Antirollbar 1,2mm X20
- 401857 Antirollbar 1,3mm X20
- 401859 Antirollbar 1,5mm X20



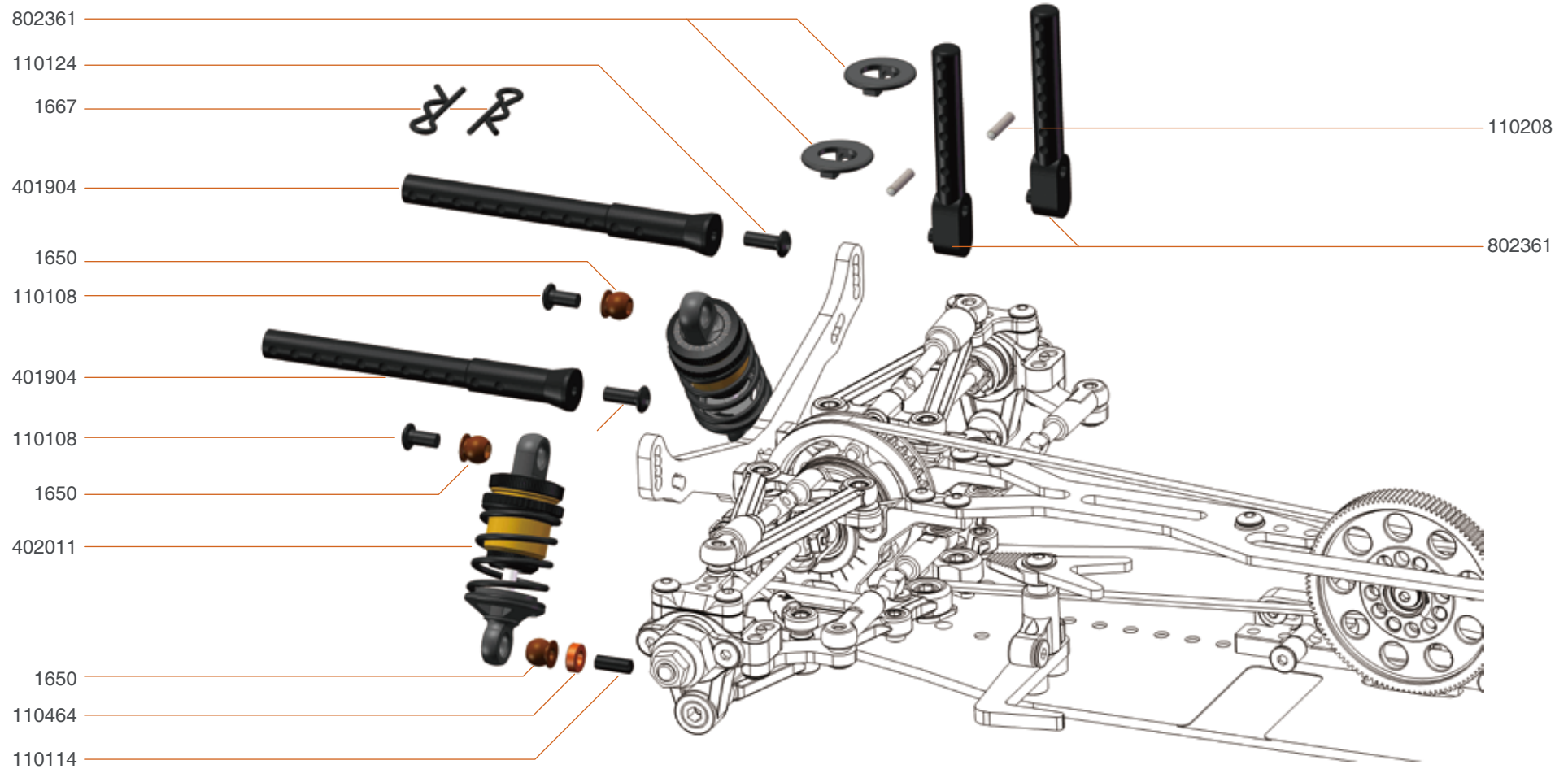
401857 Antirollbar 1,3mm X20
 401858 Antirollbar 1,4mm X20
 401859 Antirollbar 1,5mm X20

402063 Topdeck carbon soft set X20 '23
 402064 Topdeck carbon hard set X20 '23

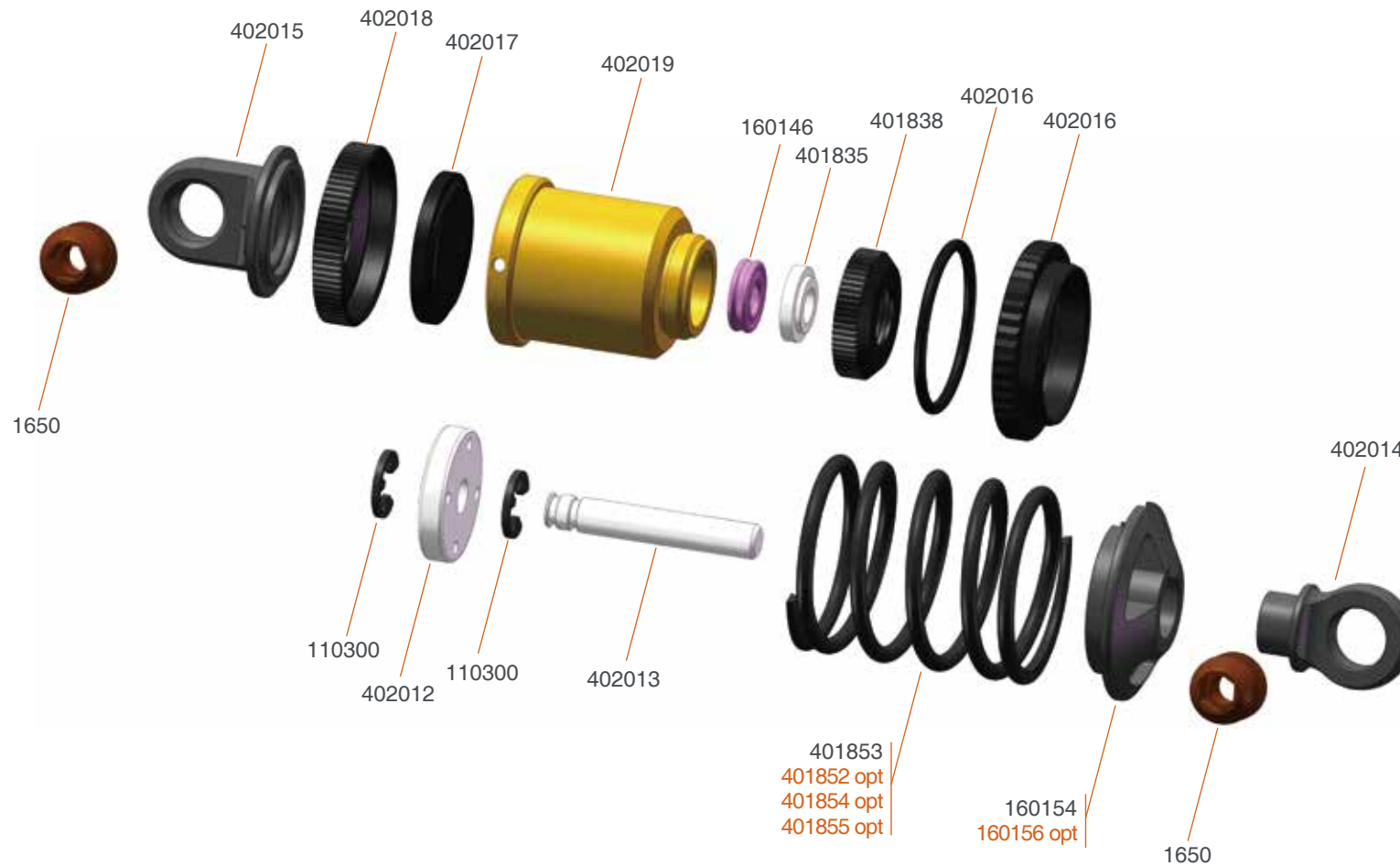


401997 Bumperset carbon X20 '21





402011 Shockset (2) X20 '23



- 401852 Spring fr/rr 2,5 (2)
- 401854 Spring fr/rr 2,7 (2)
- 401855 Spring fr/rr 2,8 (2)
- 160156 Shock spring support low onroad alu (4)

402044 Geardiff set alu X20 '23

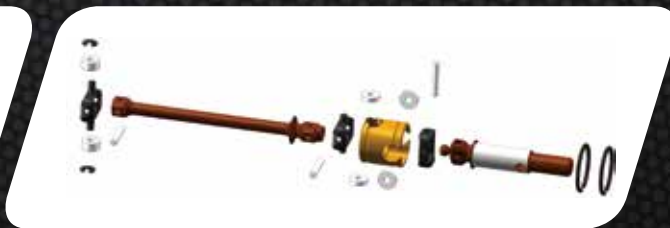
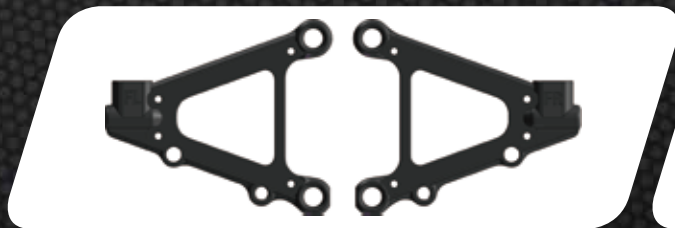


401784 Seal 5x9x2 diff (2)



TEAM SERPENT NETWORK

X20' 23 SPARE PARTS



X20' 23 OPTIONAL PARTS



SERPENT TOOLS



SERPENT MERCHANDISING



SERPENT WEBSITE AND BLOG

www.serpent.com

www.teamserpent.com

www.dragon-rc.com

SERPENT PROMO PAGES <http://promo.serpent.com>

SERPENT SOCIAL MEDIA



www.facebook.com/SerpentMRC



www.youtube.com/user/SerpentMRC

INSTRUCTION MANUAL



Manual Medius X20 '23 carbon #98671-1

SERPENT