

*GAS POWER 1/8 SCALE*

# **COBRA** **SRX8** **RTR**



*INSTRUCTION MANUAL*

# **SERPENT**



## INTRODUCTION

Thank you very much for buying this Serpent rc car. You are now member of a large following of Serpent fans worldwide. This Serpent car will bring you many hours and weekends of racing excitement.

Serpent started as rc racing company in 1980, and has developed many modelcars since. This wealth of experience and know how is used in our todays cars and that shows!

The Serpent Cobra SRX8 RTR offers state of the art specifications and leads the way in 1/8 scale chassis design, using all the knowledge our designers have gathered from racing cars for many years, into this design too. Continuously pushing the performance envelope.

The Serpent Cobra SRX8 RTR is a very good entry in the world of rc racing. Affordable and a very good basis to start your racing carreer. The Serpent Cobra SRX8 RTR, is based on the high-end competition version of the Cobra SRX8 and shares geometry and many parts. Still its easy to use, maintain and set up. The SRX8 RTR Cobra is fully upgradable to high end competition spec. The details can be found in our website.

Designed, tested and raced by Billy Easton, USA. World Champion.

This manual contains a number of steps you need to follow to operate the Serpent cars in the right way. It also contains a quick-start section, a partslist and exploded views, and a set-up section. A full assembly manual can be found online in the Serpent.com website. So read this manual with great attention before racing this car. For your own safety as well as for others, and to ensure you can enjoy your Serpent car a long time.

Serpent is not only about the car itself. Serpent as company, and the worldwide network or distributors and dealers are here to help you out.

The Serpent website, social media and forum are available for assistance and additional information as well.

*Enjoy your Serpent, the racing experience!*

## CONTENTS

|                                 |           |
|---------------------------------|-----------|
| • <b>READ THIS FIRST</b>        | <b>2</b>  |
| • <b>SAFETY MATTERS</b>         | <b>3</b>  |
| • <b>QUICKSTART</b>             | <b>3</b>  |
| • <b>EQUIPMENT</b>              | <b>4</b>  |
| • <b>MODEL SPECS / OVERVIEW</b> | <b>5</b>  |
| • <b>BASIC TUNNING</b>          | <b>6</b>  |
| • <b>MAINTENANCE</b>            | <b>8</b>  |
| • <b>EXPLODED VIEWS</b>         | <b>9</b>  |
| • <b>TEAM SERPENT NETWORK</b>   | <b>18</b> |

## READ THIS FIRST

- This is a highly technical hobby product, intended to be used in a safe racing environment. This car is capable of speeds in excess of 80 km/h or 50mph.
- Please follow these guidelines when building and operating this model.
- Parental guidance is required when the builder/user of this car is under 16.
- Follow the building instructions. If in doubt, contact your dealer or importer.
- Be sure to use the proper tools when assembling the car. Always exercise caution when using electric tools, knives and other sharp objects.
- Be careful when using liquids like lubrication oil or glue. Do not swallow.
- Follow the manufacturer's instruction in case you experience irritation after using the product.
- Be careful when operating the car. Stay away from any rotating parts such as wheels, gears and transmission.
- Stay away from speedo during and immediately after use, as these parts may be very hot. We advise to use protective handgloves.
- Only operate this car in a safe environment, like a special racing track or a closed parking lot.
- Avoid using this car on public roads, crowded places or near infants.
- Before operating this car, always check the mechanical status of the car. Check that the batteries of the transmitter and receiver are fully charged. After use, always check all the mechanics of the car. We advise to clean the car immediately after use, and inspect the parts for wear or fractures. Replace when necessary. Do not use water, methanol, thinner or other solvents to clean the car.
- Store the car in a dry and heated place to avoid corrosion of metal parts.
- Avoid using this car in wet conditions as the water will cause corrosion on the metal parts and bearings and these parts will cease to function properly. If driven in the wet, ensure that all the electric equipment is waterproofed and after use, that all moving parts are dried immediately



## SAFETY MATTERS

All instructions in this manual must be followed to ensure safe use of the car. This model is not intended for use by children under 14 years .

### Important pre-cautions

- Only run the car in designated areas or areas with very few people, so no-one can get hurt.
- The car has a lot of power and the turning parts on the car can cause damage, also some parts of the car like transmission and motorparts can become very hot. So wear protective clothing both as driver and helper and be careful when picking up the car.
- Do not operate the car under dark conditions, as both you and others may not see the car properly and can get hurt, due to lack of car control.
- Use good common sense while operating the car so you can fully enjoy your car.

### Battery and battery-charging

- The battery and battery-charger are not included with this model. For the transmitter you need 4 pcs AA size NIMH batteries and for the car you need a NIMH or Lipo battery with a capacity of 1600 mA or more.
- Use proper battery-charger specifically designed for that type batteries and follow the instructions of the battery supplier and the charger correctly.
- Keep the battery and charger always in dry places only and never leave un-attended during charging.
- When the batteries are at their end of life, dispose them at a recycling-place, check [www.call2recycle.org](http://www.call2recycle.org) for more info.

## QUICK-START

The quick-start section is not a replacement for the full instructions. To be able to use the model to its best take the time to read the full manual.

1. Read the manual and safety pre-cautions.
2. Buy and install the batteries in the transmitter ( see Transmitter manual). Install the RX=receiver battery pack (not included) in the battery-box and connect as shown in the manual.
3. Turn on the transmitter (see Transmitter manual). Always turn on the transmitter first before switching on the car and only turn off the transmitter after you switch off the car. Put purpose made model car fuel in the fuel tank. Start and run in the engine, as described in the separate engine manual.
4. Check servo operation. Check that the servo works correctly and check that the car runs straight in neutral position, trim as needed.
5. Perform a range test with the radio system.
6. Personalise the body of your car by applying more decals if required.
7. Drive your model car.
8. Maintain your modelcar (page 8).



## INCLUDED WITH YOUR MODEL

- Serpent modelcar, factory assembled and set-up.



- Dragon-RC transmitter.
- Serpent .21 high performance pullstart engine.
- Serpent .21 Inline Pipeset polished.
- Dragon-RC racing tyres, pre-mounts.
- Dragon-RC digital servo.

## REQUIRED FOR YOUR MODEL

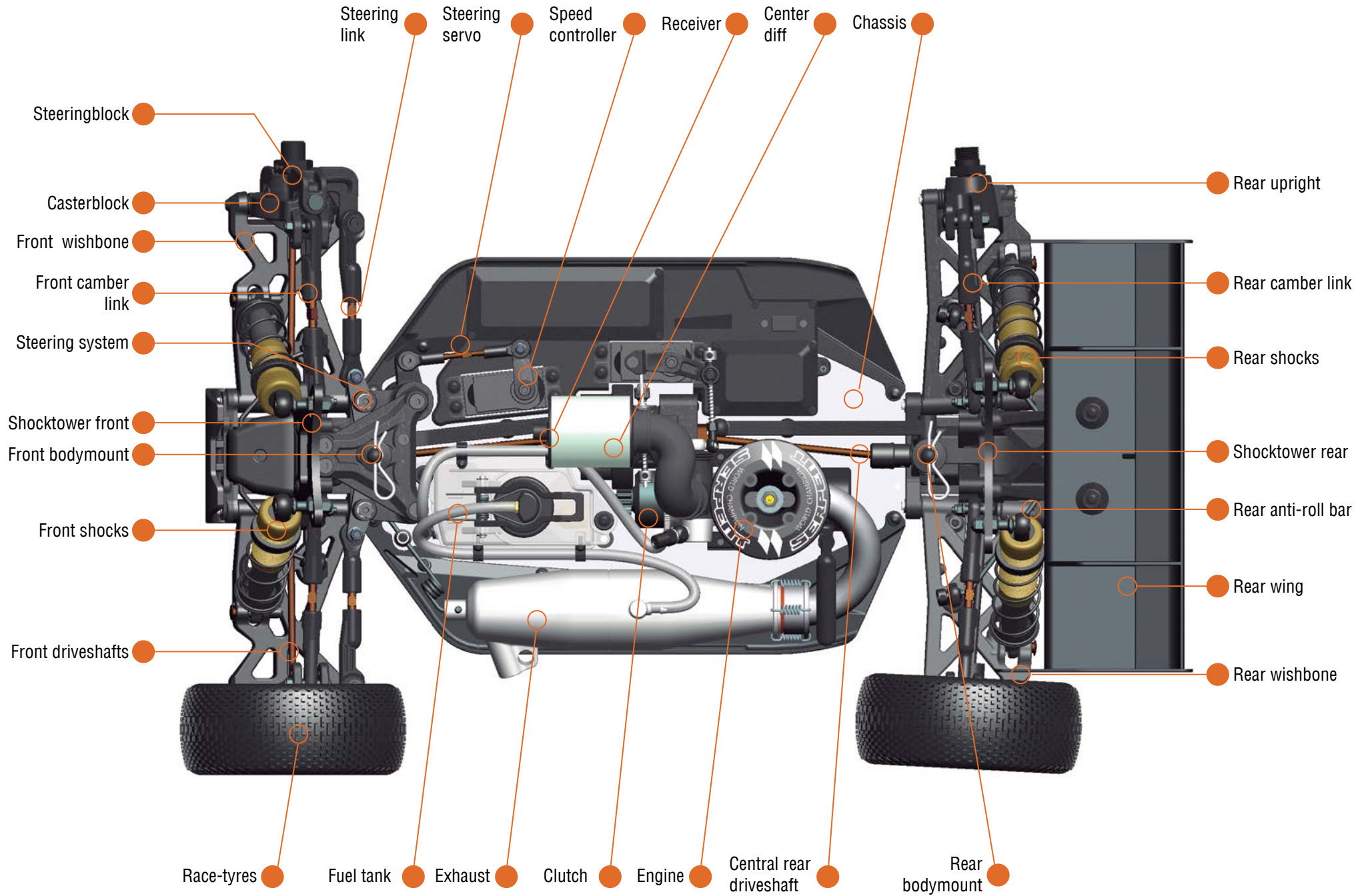
- 4 x AA batteries for the transmitter 4 x AA batteries for the transmitter
- Receiver battery NIMH / LIFE / LIPO
- Fuel with 16 or 25% nitro and fuelbottle
- Glowplugstarter
- Tools: selection of allen tools and screw- drivers
- Hobby knife
- Camber gauge

## RECOMMENDED MATERIALS

- Side cutter and nose plier
- Cleaning brush and towel
- Safety glasses and gloves
- Cleaning gum
- Thin bearing oil
- Transmission grease
- CA glue
- Degreaser







# BASIC TUNNING

## Springs:

By using a softer spring you will have more sag, more chassis roll/lean, more dive and a less responsive car this might be better on low-grip surfaces; by using a harder spring you have less sag, less body lean, less dive and a more responsive car. What to apply depends on driving style and grip-level surface. This is more suitable on high-grip surfaces.



## Shock-angle:

The angle at which the shocks are mounted create a different suspension feel; the more vertical, the harder it feels, the more horizontal, the softer it feels.



## Oil:

The viscosity of the shock-oil defines the dampening of the shock absorber. Thinner oil will be softer, with slower response, thicker oil will be harder dampening with faster response. The dampening can also be fine-tuned by fitting other pistons with more or less holes, which is an optional.



## Differential:

You can make the gear differential harder or softer by using a different oil viscosity. Lighter oil will create a looser diff which increases rear traction on acceleration, but also more understeer, and a harder differential will decrease rear traction on acceleration, but also more on-throttle steering.



## Front anti-roll bar:

By using a softer anti-roll bar you will have more sag, more chassis roll/lean, more dive and a less responsive car. But you will have more steering once you have entered the corner.



## Rear anti-roll bar:

By using a softer anti-roll bar you will have more sag, more chassis roll/lean, more dive and a less responsive car. But you will have more rear traction and a more stable car.

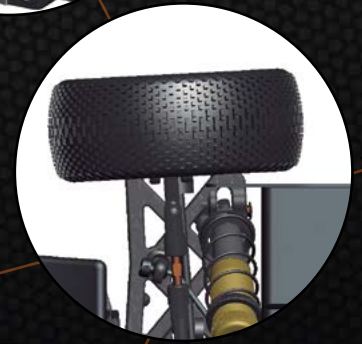


## Rear toe adjustment:

Adjusted with suspension blocks (optional).

More toe-in will create more traction, more stability, but less speed.

Less toe in will create a less stable car, with less traction but higher speed.



## Front toe adjustment:

Adjusted with the track-rods, make longer or shorter. More toe-in will create more steering, but less stability; toe-out will create a more stable car, with less steering.





### Front camber:

Using more negative camber in the front will give you more steering but also increases possible traction roll.



### Wheel-base length:

A longer car will be more stable and react slower, a shorter car will be more nervous and more direct.



### Rear camber:

Using more negative camber in the rear will create more grip in the rear meaning also creating more understeer.



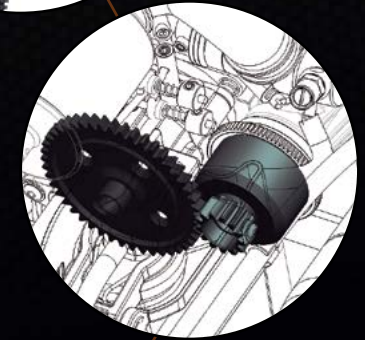
### Wing angle:

The wing has two possible positions. In the position where the wing is more angled it generates more rear downforce, creating more traction, more stability, but less speed and viceversa.



### Gear-ratio:

Spur and pinion: for correct gearmesh keep a piece of notebook paper at hand, to put between the spur and pinion for correct mesh.



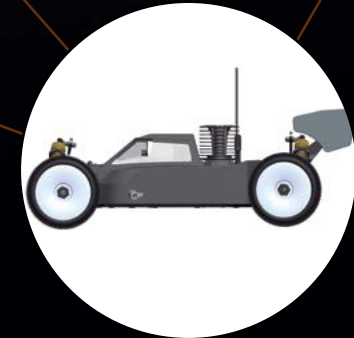
### Front caster:

Use optional caster blocks to change castor reaction roll. And less caster will create less steering but also decreases possible traction roll.



### Ride-height:

You can change the ride-height of the car, by applying more or less pre-load on the springs, turn the pre-load adjusters to set the desired height and keep left and right the same.



# MAINTENANCE

## Shockabsorbers

- Check for smooth operation of the shockabsorbers, and check for airbubbles by pushing the shock up and down fast after removal of the spring. Clean the shockabsorbers as needed and refill with fresh 100% pure silicone oil as needed.



## Tyres

- Replace tyres if case worn or damaged, and clean the surface in case dirty to obtain better grip.

## Wheel-axles and driveshafts

- Remove the wheels, and check the wheel-axles, driveshafts and adaptors for dirt, play and pins. Clean thoroughly as needed and lubricate the touching parts with a small amount of grease or oil.



## Differentials

- Check the differentials and gears for wear and dirt and clean as needed. Check the functioning of the diff by turning the wheels in opposite direction and feel if still smooth or 'gritty'. In case of gritty feel, the silicone oil may need replacement.

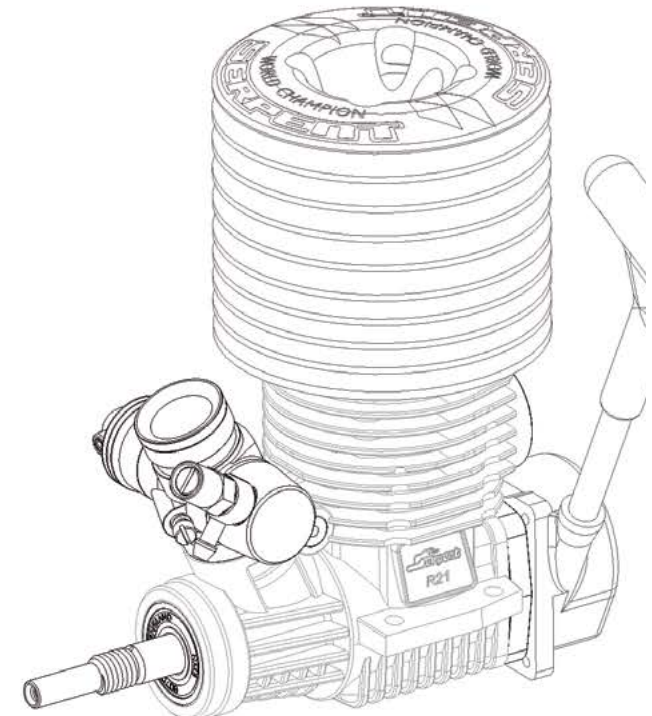
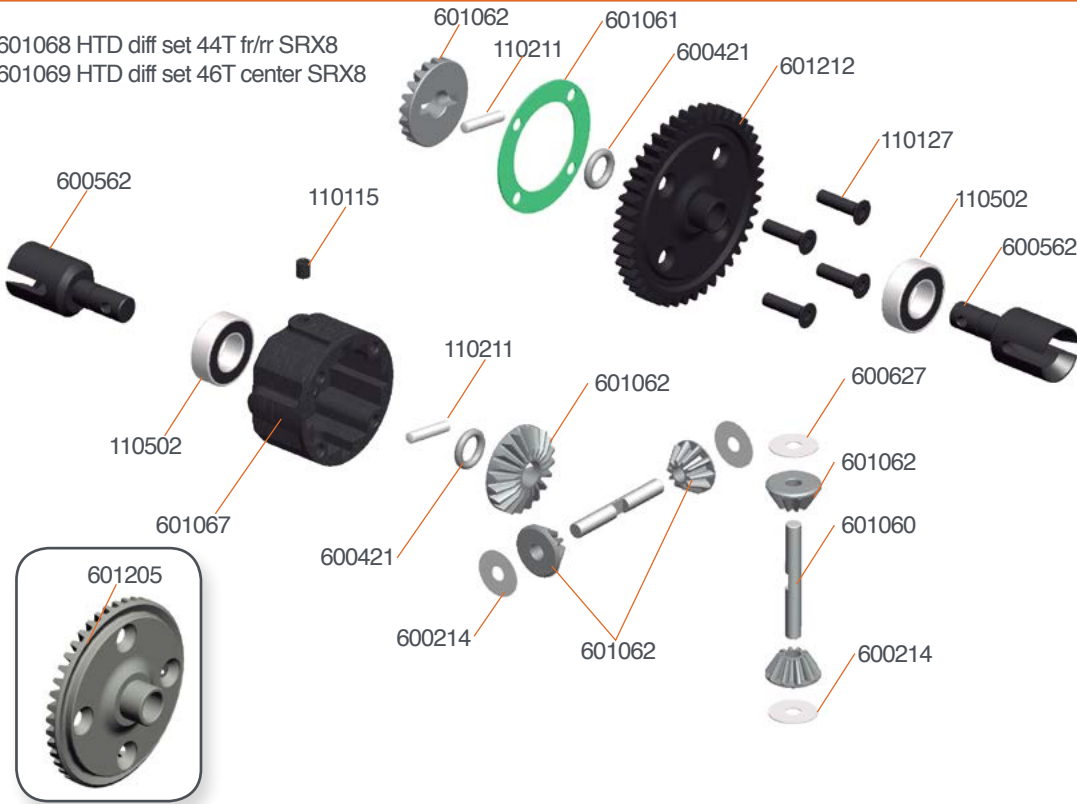
The full assembly manual of this model is available online; check on [www.serpent.com](http://www.serpent.com) and type your modelnumber, partnumber, or select your car from the car-page; go to the download section in the menu and download the full manual.



# DIFFERENTIAL AND CLUTCH EXPLODED VIEW



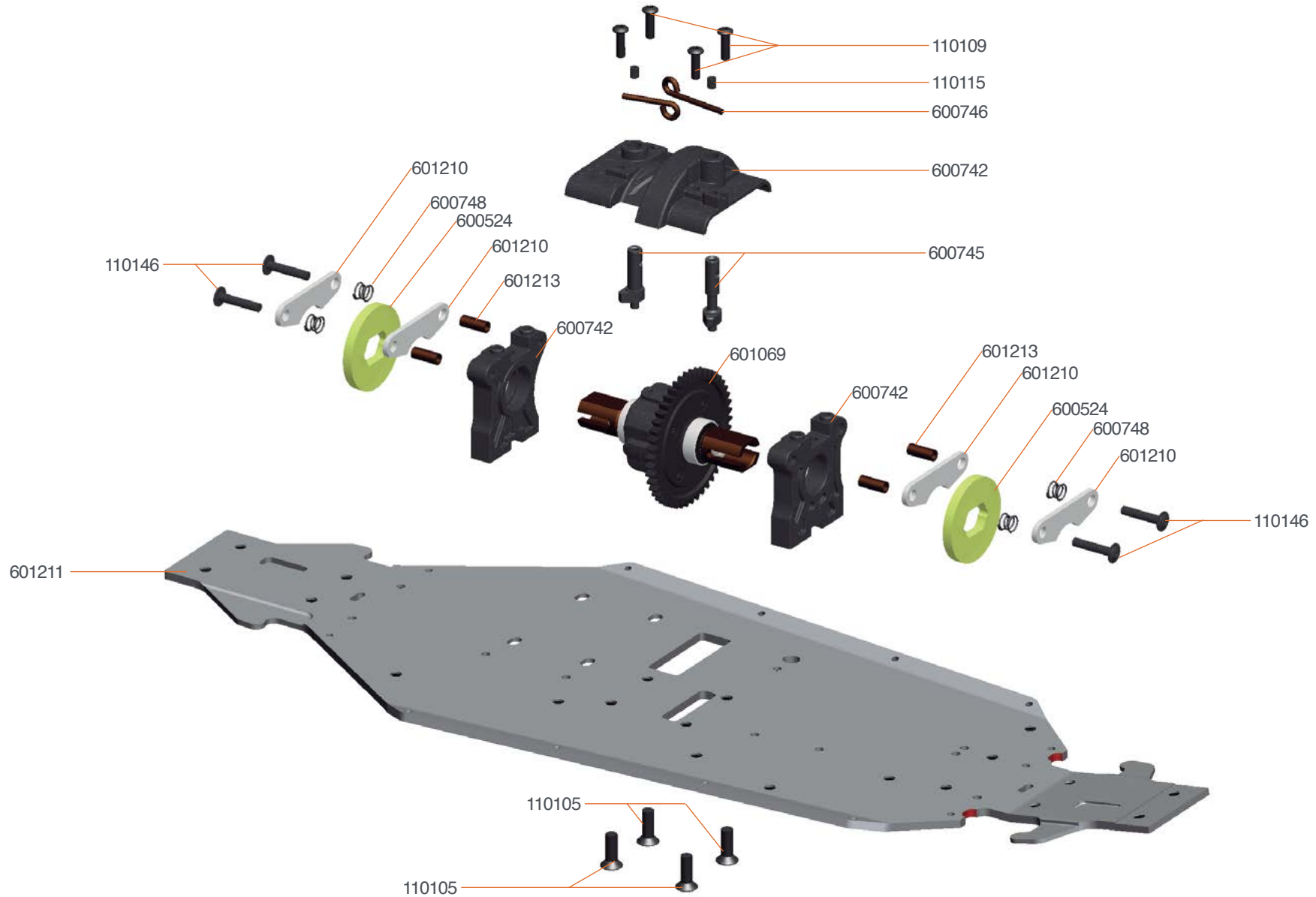
601068 HTD diff set 44T fr/r SRX8  
601069 HTD diff set 46T center SRX8



600217 Clutch bell 14T  
600218 Clutch bell 15T  
600219 Clutch bell 16T

600220 Clutch bell 17T  
600578 Clutch spring 3-pin 1.0mm (3)  
600579 Clutch spring 3-pin 1.1mm (3)

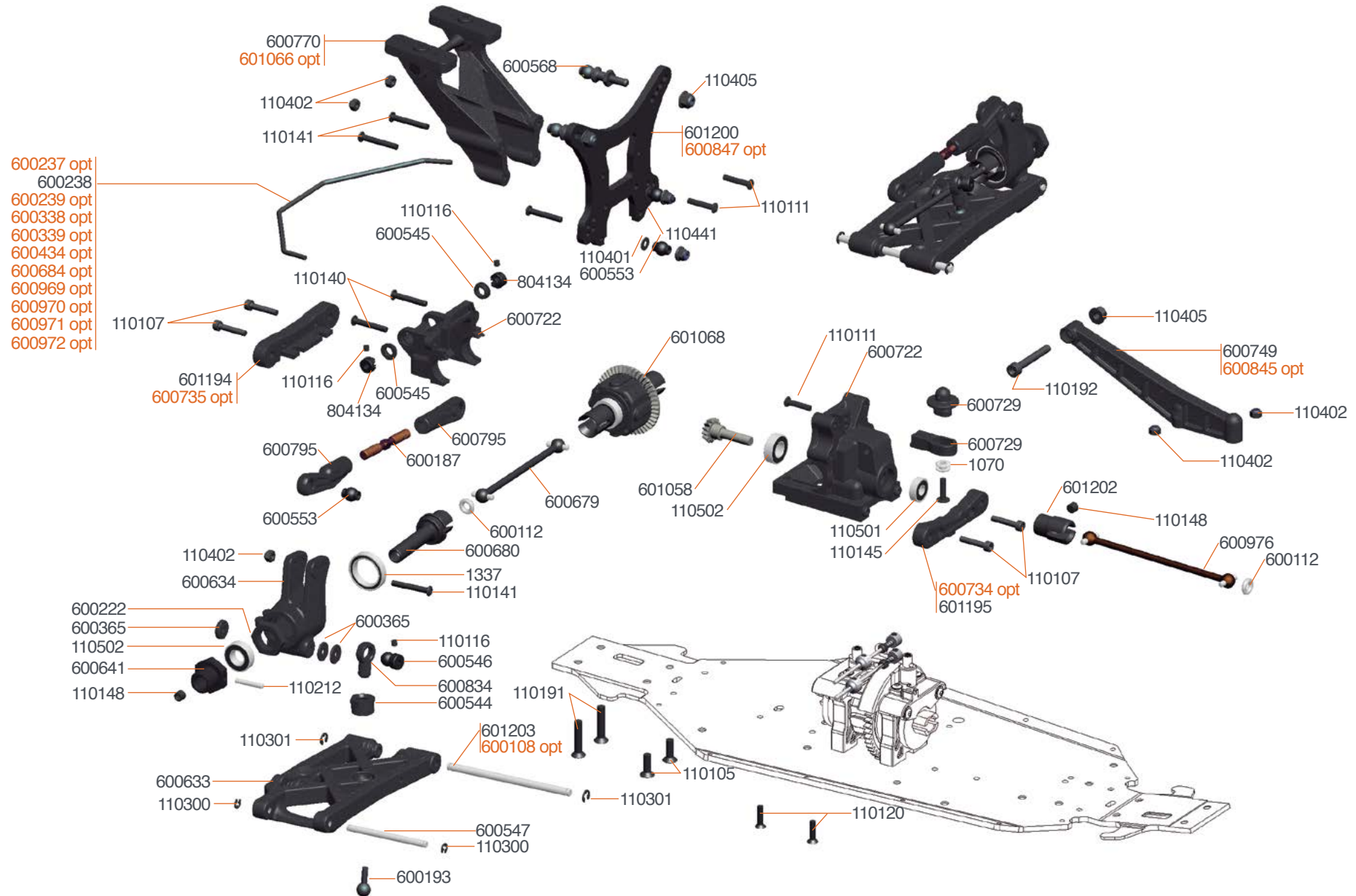
600883 Clutch shoe 3-pin alu 6061 (3)  
600884 Clutch shoe 3-pin alu 7075 (3)



- 600743 Brake plate mount set (4) SRX8
- 600744 Brake disk (2) SRX8
- 600829 Brake plate (4) SRX8





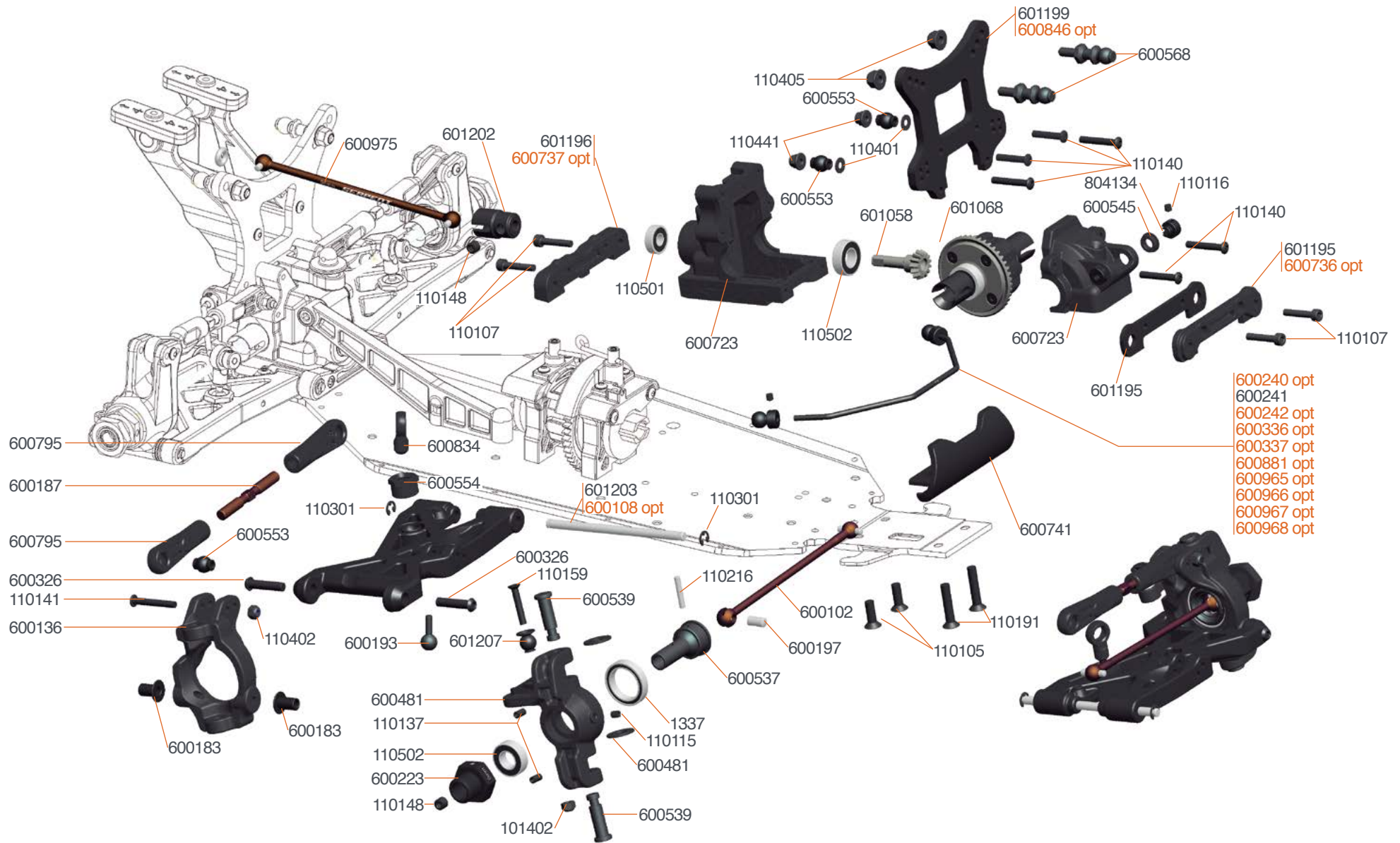


600237 Antiroll bar rear 2.3mm  
 600239 Antiroll bar rear 2.7mm  
 600338 Antiroll bar rear 1.8mm  
 600339 Antiroll bar rear 2.0mm

600434 Antiroll bar rear 2.4mm  
 600734 Suspension bracket RR FR SRX8  
 600735 Suspension bracket RR RR SRX8  
 600847 Shocktower RR alu SRX8

600969 Antiroll bar rear 2.2 mm  
 600970 Antiroll bar rear 2.4 mm  
 600971 Antiroll bar rear 2.6 mm  
 600972 Antiroll bar rear 2.8 mm

601066 Wing mount set V2 SRX8  
 600108 Hingepin (2)  
 600823 Suspension bracket inserts (36) SRX8  
 600845 Transmission brace alu RR SRX8



600240 Antiroll bar front 2.3mm  
600242 Antiroll bar front 2.7mm  
600336 Antiroll bar front 1.8mm  
600337 Antiroll bar front 2.0mm

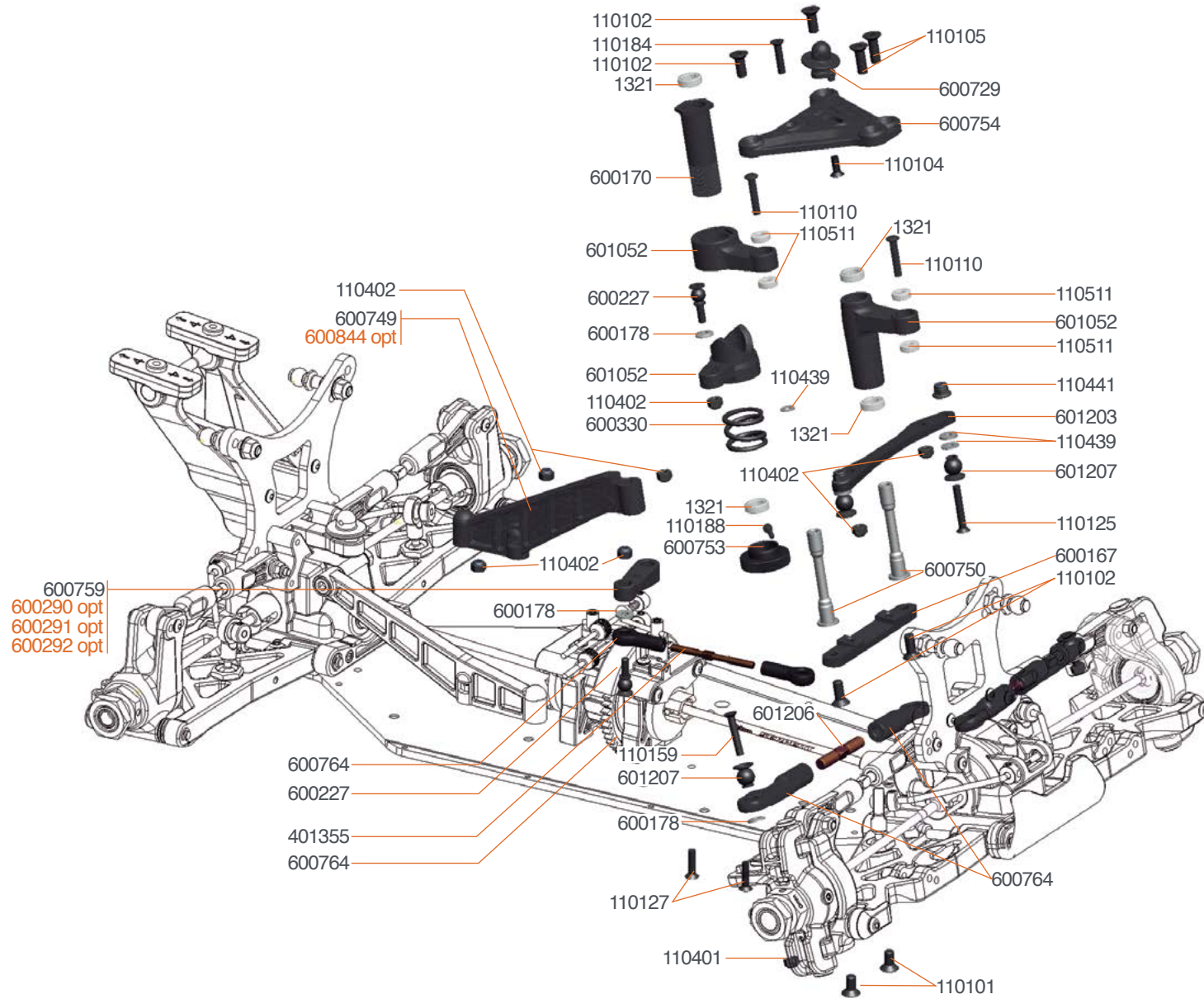
600736 Suspension bracket FR FR SRX8  
600737 Suspension bracket FR RR SRX8  
600846 Shocktower FR alu SRX8  
600881 Antiroll bar front 3.0 mm

600965 Antiroll bar front 2.2 mm  
600966 Antiroll bar front 2.4 mm  
600967 Antiroll bar front 2.6 mm  
600968 Antiroll bar front 2.8 mm

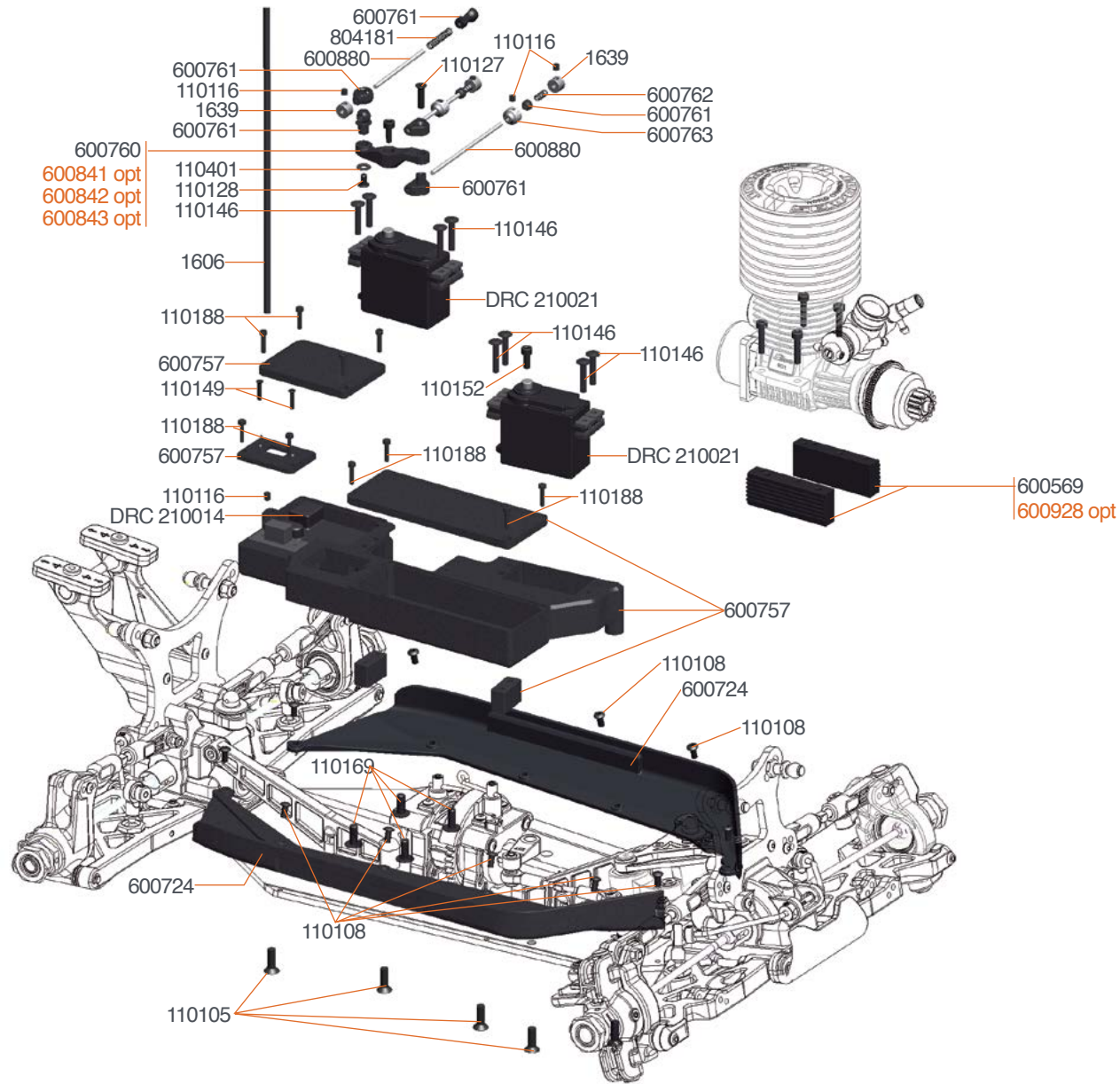
600108 Hingepin (2)  
600823 Suspension bracket inserts (36) SRX8  
600844 Transmission brace alu FR SRX8



# STEERING EXPLODED VIEW



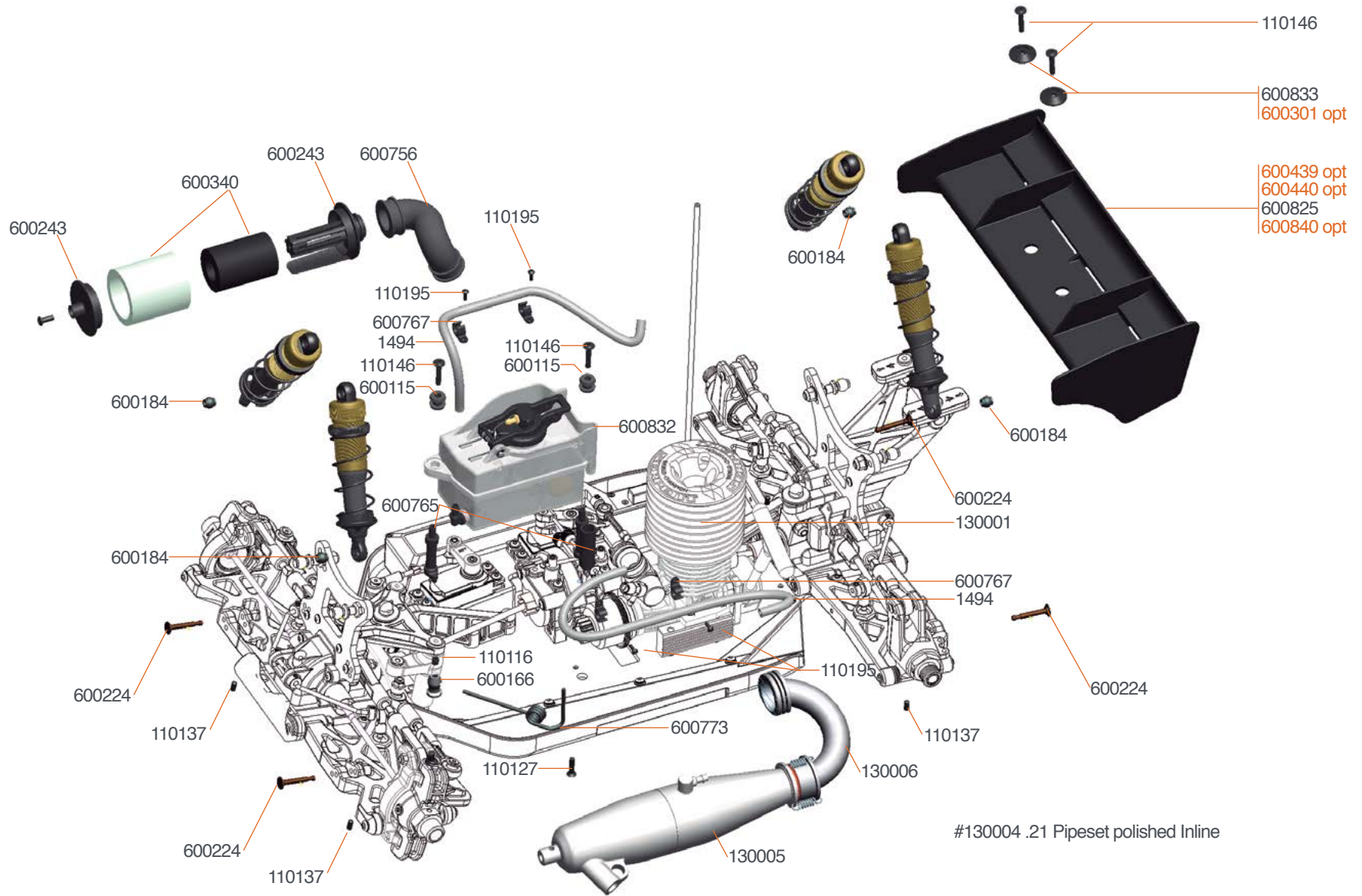
600290 Servo lever steering 23T alu  
600291 Servo lever steering 24T alu  
600292 Servo lever steering 25T alu



**OPT** 600841 Servo lever throttle alu 23T SRX8  
 600842 Servo lever throttle alu 24T SRX8  
 600843 Servo lever throttle alu 25T SRX8

600928 Enginemount low S811 RTR (2)  
 600963 Brake adjust collar alu orange (2) SRX8  
 600964 Brake adjust collar alu black (2) SRX8





600439 Wing white low 811  
 600440 Wing black low 811  
 600840 Wing lexan HD with gurney 1/8

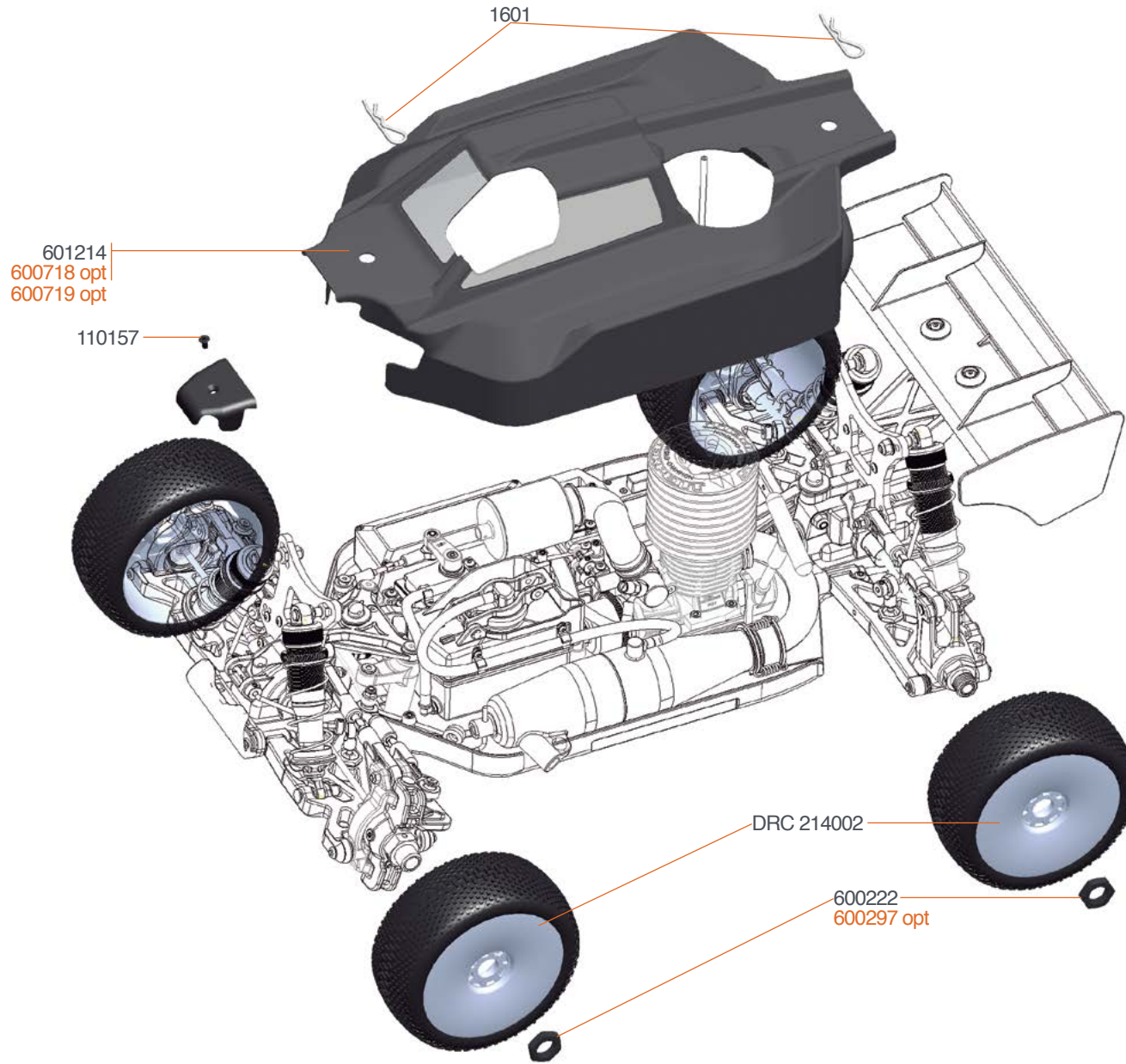


600646 Spring FR orange V2 (0.66N/3.8LB) (2)  
600647 Spring FR red V2 (0.70N/4.0LB) (2)  
600649 Spring FR blue V2 (0.75N/4.3LB) (2)  
600650 Spring FR purple V2 (0.79N/4.5LB) (2)

600651 Spring FR green V2 (0.81N/4.65LB) (2)  
600652 Spring RR orange V2 (0.53N/3.0LB) (2)  
600653 Spring RR red V2 (0.56N/3.2LB) (2)  
600655 Spring RR blue V2 (0.60N/3.4LB) (2)

600656 Spring RR purple V2 (0.61N/3.5LB) (2)  
600657 Spring RR green V2 (0.63N/3.6LB) (2)  
600658 Spring set FR V2 (6x2)  
600659 Spring set RR V2 (6x2)





600718 Body SRX8  
600719 Body SRX8 High Downforce

# TEAM SERPENT NETWORK

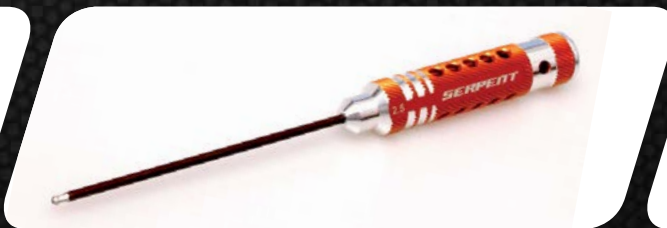
**Cobra SRX8 RTR SPARE PARTS** [www.serpent.com/600023/spares/](http://www.serpent.com/600023/spares/)



**Cobra SRX8 RTR OPTIONALS PARTS** [www.serpent.com/600023/Optionals/](http://www.serpent.com/600023/Optionals/)



**SERPENT TOOLS** [www.serpent.com/product/Tools/](http://www.serpent.com/product/Tools/)



**SERPENT MERCHANDISING** [www.serpent.com/product/Merchandising/](http://www.serpent.com/product/Merchandising/)







## SERPENT WEBSITE AND BLOG

[www.serpent.com](http://www.serpent.com)  
[www.teamserpent.com](http://www.teamserpent.com)  
[www.dragon-rc.com](http://www.dragon-rc.com)

**SERPENT PROMO PAGES** <http://promo.serpent.com>

**SERPENT FACEBOOK GROUPS** [www.facebook.com/serpentmrc](http://www.facebook.com/serpentmrc)

## SERPENT SOCIAL MEDIA



[www.facebook.com/SerpentMRC](http://www.facebook.com/SerpentMRC)



[www.twitter.com/SerpentMRC](http://www.twitter.com/SerpentMRC)

# COBRA SRX8 RTR



Manual SRX8 RTR #83289-1

INSTRUCTION MANUAL

**SERPENT**